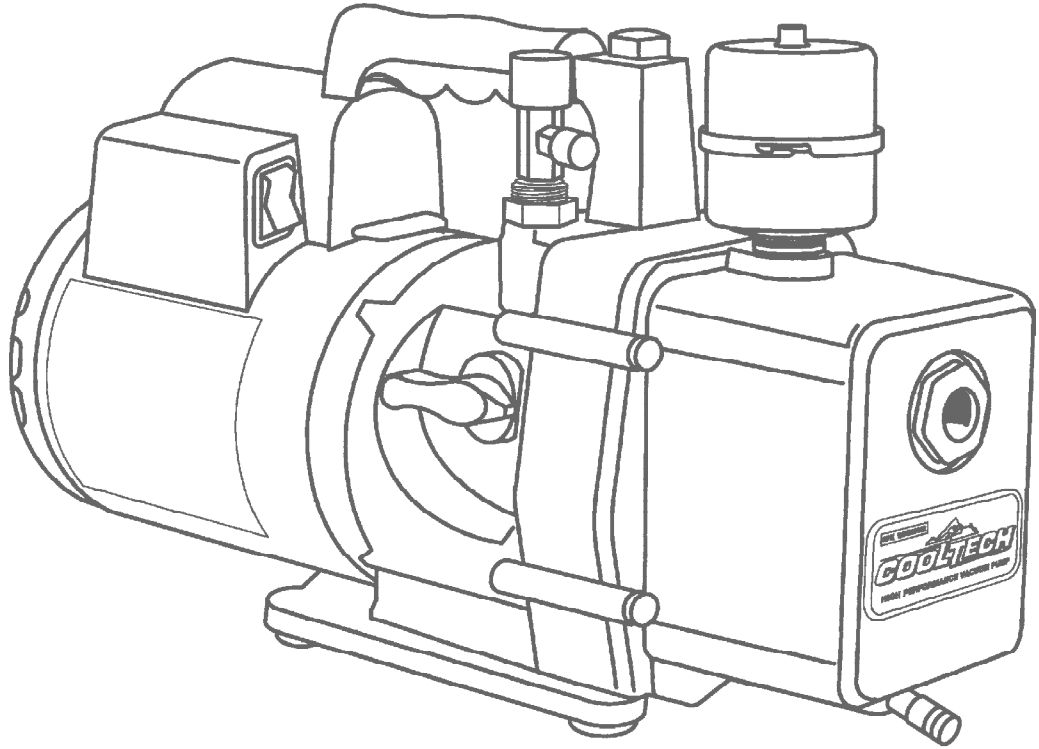


ROBINAIR



| | |
|--|----|
| High Performance Vacuum Pump Model 15120A/15122A Operating Manual | 2 |
| Bombas de Vacío de Alto Rendimiento Modelo 15120A/15122A Manuel del Operador | 8 |
| Pompe à Vide à Haut Rendement Modèle 15120A/15122A Manuel d'utilisation | 16 |
| Hochleistungs-Vakuumpumpe Modelle 15120A/15122A Bedienungsanleitung | 24 |

Table of Contents

- Warnings 2
- CoolTech[®] high performance vacuum pumps 2
 - Pump components 3
- Before using your vacuum pump 3
- To use the gas ballast feature 4
- To shut down your pump after use 4
- To maintain your high vacuum pump 4
 - Vacuum pump oil 4
 - Oil change procedure 4
 - Cleaning your pump 5
 - Motor lubrication 5
- Troubleshooting guide 5
 - Failure to start 5
 - Oil leakage 5
 - Failure to pull a good vacuum 5
- VacuMaster[®] specifications 5
- When you need help 6
- Replacement parts 6
- Warranty coverage 6
 - Out of warranty 6

For use on A/C-R systems using CFCs, HCFCs and HFCs in conjunction with mineral oil, ester oil, alkylbenzene oil and PAG oil as lubricants. Not for use with ammonia or lithium bromide systems. Not for use with flammable refrigerants.

*U.S. Patents 4,523,897; 5,209,653.
Other U.S. and Foreign Patents Pending.*

Warnings

When working with refrigerants, goggles should always be worn. Contact with refrigerants may cause injury.

Improper use or connections may cause electrical shock hazards. Read and follow the instructions carefully and take precautions to avoid electrical shock hazards. Be sure that all associated devices are properly grounded before energizing circuits.

The normal operating temperature will cause certain external portions of the pump to be hot to the touch. Do not touch the pump housing or motor during operation.

VacuMaster[®] High Performance Vacuum Pumps

Congratulations on purchasing one of Robinair's top quality VacuMaster[®] vacuum pumps. Your pump has been engineered specifically for air conditioning and refrigeration service, and is built with Robinair's proven offset rotary vane for fast, thorough evacuation.

You'll appreciate these key features...

Iso-Valve™

Allows the pump to be shut off while still connected to the A/C-R system, which is handy for checking rate of rise. With the valve handle in the "Open" position, the pump is open to the system being evacuated. In the "Close" position, the pump is isolated from the system.

High vacuum rating

The two-stage, offset rotary vane design provides powerful, quiet high vacuum capability and assures moisture removal, while the high pumping capacity reduces evacuation time.

Lifetime Filtration

The intake filter prevents foreign matter from entering the pumping chamber, and an exhaust filter separates oil vapor from the exhaust flow.

Gas ballast

A precise amount of atmospheric air is introduced into the pump, preventing condensation of moisture vapor and helping maintain the purity of the pump oil. By using the gas ballast, the pump operates more efficiently and pump life is extended.

Sure-grip handle

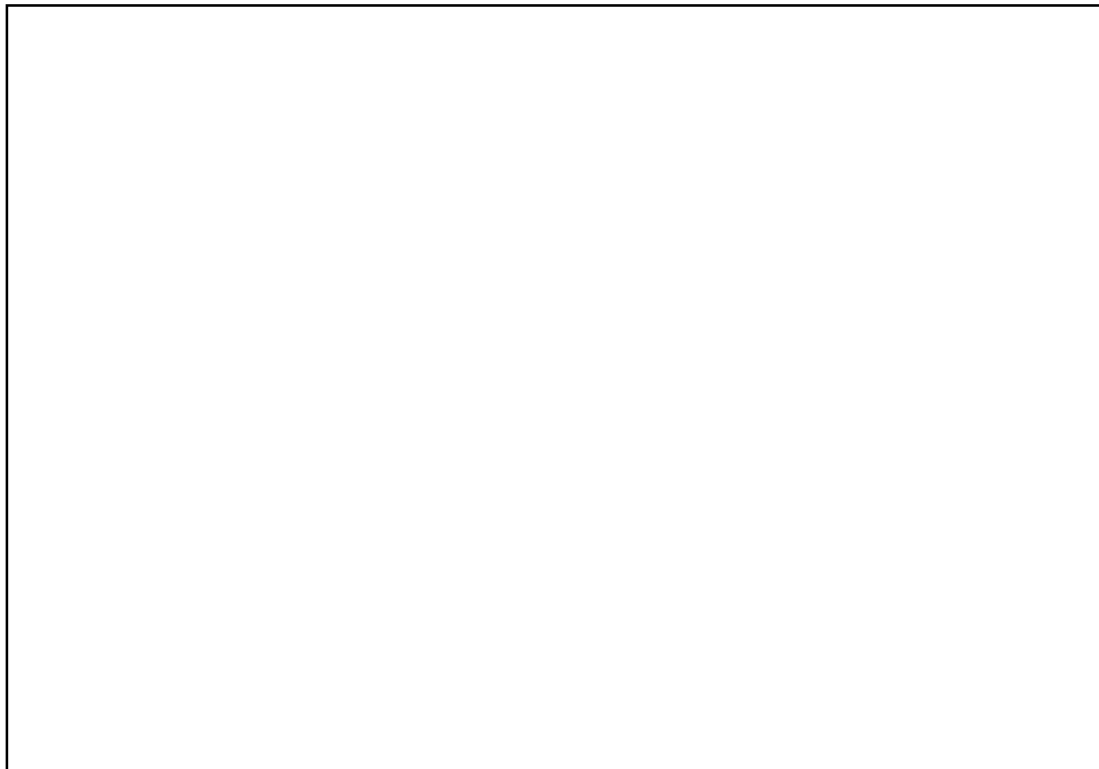
The one-piece, molded handle makes it easy to carry the pump to and from job sites, and the handle stays cool to the touch during operation.

Compact design

Your pump measures approximately 42 cm (16½") long, while aluminum housing and offset rotary vanes keep the pump weight low, making it easy to carry.

NOTICE: Airborne Noise Emissions

This equipment has been tested for airborne noise emission per the Council Directive for Machinery (89/392/EEC) Section 1.7.4 Instructions — Essential Health and Safety Requirements. Sound levels do not exceed 80dB(A) actual value.



Pump components

1. Intake Fitting
2. Gas Ballast Valve (located beside handle)
3. Exhaust Filter
4. Oil Fill Port
5. Sight Glass
6. Die-Cast Aluminum Housing
7. Oil Drain
8. Molded Polycarbonate Base
9. Iso-Valve™ — Isolates the pump from the system
10. Powerful, High Torque Motor
11. Power Switch
12. Sure-Grip Handle

Before using your vacuum pump



In all cases, motors are designed for operating voltages plus or minus 10% of the normal rating (see SPECIFICATIONS). Single voltage motors are supplied fully connected and ready to operate.

1. Check to make certain the voltage and frequency at the outlet match the specifications on the pump motor decal. Check the ON-OFF switch to be sure it is in the OFF position before you plug the pump into an outlet. Check to be certain the gas ballast valve is closed. Remove and discard the red plastic plug from the top of the oil reservoir.

***Failure To Remove Red Plastic Caplug
May Result In Bodily Injury.***

2. The pump is shipped without oil in the reservoir. Before starting the pump, fill with oil until oil just shows in the bottom of the sight glass. The approximate oil capacity of the pump is 488 milliliters (16½ ounces).
3. Thread in the exhaust filter (hand tighten) and remove the cap from one of the inlet ports. Turn the Iso-Valve to OPEN. Turn the motor switch to ON. When the pump runs smoothly, turn the Iso-Valve to CLOSED and replace the cap on the inlet port. This may take from two to 30 seconds depending on the ambient temperature. After the pump runs for approximately one minute, check the sight glass for proper oil level — oil should be even with the sight glass OIL LEVEL line. Add oil if necessary.

When the pump is running, the oil level should be even with the OIL LEVEL line. Underfilling will result in poor vacuum performance. Overfilling can result in oil blowing from the exhaust.

Your pump is now ready to evacuate air conditioning and refrigeration systems. Follow normal service procedures and the A/C-R manufacturer's instructions for connections to the system.

CAUTION! Before connecting your vacuum pump to an A/C-R system, remove refrigerant from the system in an accepted manner. Damage to the pump may occur if evacuation is started while the system is under high pressure. Robinair recommends use of our Refrigerant Recovery and Recycling equipment.

Wiring Instructions (15121A):

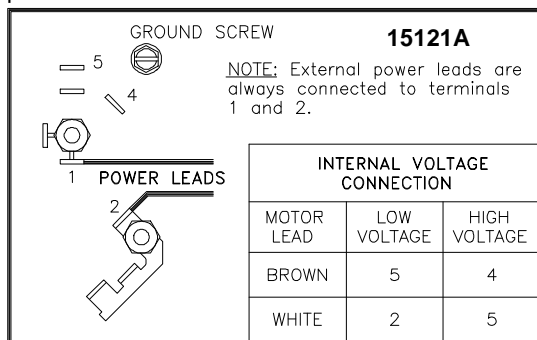
The VacuMaster vacuum pump features dual voltage ranges. Before operating the pump, read and follow these rewiring instructions (if necessary) to be sure your pump is wired for the appropriate voltage.

CAUTION! Unplug the unit before beginning any service work. Improper use or connections can cause electrical shock. Only qualified personnel should perform service work.

The VacuMaster vacuum pump is factory wired for a high voltage of 220 volts. To wire the switch for a low voltage range of 110 volts to 127 volts, follow these steps.

1. Disconnect the unit from the AC power source before proceeding.
2. Loosen the screws on the plate at the rear of the motor, and carefully move the plate aside to clear the opening.
3. Disconnect the leads and reconnect for low voltage, following the diagram and chart. (High voltage connections are also shown if you want to rewire at some time.)
4. Check to see that all connections are secure and that there are no short circuits. Be sure the grounding connector is properly connected.
5. Re-install the plate on the rear of motor with the screws which were loosened in Step 2.

IMPORTANT: Check for short circuits using a continuity tester before reconnecting to the AC power source.



To use the gas ballast feature

Moisture from the A/C-R system that is carried into the pump as a vapor tends to condense into a liquid and combine with the vacuum pump oil. When moisture contaminates the pump oil, it reduces the pump's ability to reach its ultimate deep vacuum level.

The gas ballast valve purges a small amount of atmospheric air through the exhaust chamber. This extra volume of air mixes with the vapor from the refrigerant system to prevent condensation and to help exhaust moisture in the form of vapor from the pump.

To use the gas ballast, start the pump and open the gas ballast valve until the system has reached

approximately 1000-3000 microns. Close the valve to allow the pump to pull down to its ultimate vacuum level. The gas ballast valve is located beside the handle, opposite the inlet fitting.

The gas ballast valve may be opened or closed at any time during pump operation. It is fully open at two turns counterclockwise.

NOTE: Robinair recommends the use of a thermistor vacuum gauge to most accurately measure vacuum levels.

To shut down your pump after use

To help prolong pump life and promote easy starting, follow these procedures for shutdown:

1. Close the manifold valve between the pump and the system.
2. Turn the Iso-Valve to the CLOSED position.
3. Remove the hose from the pump inlet.
4. Turn the pump power switch to OFF, then return the Iso-Valve to the OPEN position for a few seconds to relieve any vacuum inside the pump.
5. Cap the inlet port to prevent any contamination or loose particles from entering the port.

To maintain your high vacuum pump

For maximum performance, Robinair recommends changing vacuum pump oil after each use.

Vacuum pump oil

The condition and type of oil used in any high vacuum pump are extremely important in determining the ultimate attainable vacuum. Robinair recommends the use of our Premium High Vacuum Pump Oil. This oil has been specifically blended to maintain maximum viscosity at normal running temperatures and to improve cold weather starts.

Robinair Premium High Vacuum Pump Oil is available in convenient pint, quart or gallon containers. Order by part number:
 13201 — Pint (shipped 12 pints per case)
 13203 — Quart (shipped 12 quarts per case)
 13204 — Gallon (shipped 4 gallons per case)

Oil change procedure

1. Be sure the pump is warmed up.
2. Remove the OIL DRAIN cap. Drain contaminated oil into a suitable container and dispose of properly. Oil can be forced from the pump by opening the inlet and partially blocking the exhaust with a cloth while the pump is running. Do not operate the pump for more than 20 seconds using this method.
3. When the flow of oil has stopped, tilt the pump forward to drain residual oil.

4. Replace the OIL DRAIN cap. Remove the exhaust filter and fill the reservoir with new vacuum pump oil until the oil just shows at the bottom of the sight glass. The approximate oil capacity of the pump is 488 milliliters (16½ ounces).
5. Be sure the inlet ports are capped, then turn ON the pump. Allow it to run for one minute, then check the oil level. If the oil is below the sight glass OIL LEVEL line, add oil slowly (with the pump running) until the oil reaches the OIL LEVEL line. Replace the exhaust filter (hand tighten), making sure the inlet is capped and the drain cap is tight.
6. If the oil is badly contaminated with sludge that forms when water is allowed to collect in the oil, you may need to remove the oil reservoir cover and wipe it out.

Repeat this procedure as required until the contamination is removed. Replace the OIL DRAIN cap and refill the reservoir to the proper level with fresh pump oil (see Step 4).

Cleaning your pump

Clean the pump with soap and water only. **Do not use commercial cleaners that contain degreasing agents that can damage polycarbonates.** The pump handle and base are made of Lexan*, one of the toughest polycarbonate plastics available. However, it is sensitive to degreasing agents.

*Lexan is a registered trademark of General Electric

Motor lubrication

After three years of normal service or one year of heavy-duty service, add oil annually. Use electric motor oil or SAE 10 oil.

Troubleshooting guide

Your VacuMaster pump has been designed for dependable use and long life. If something should go wrong, however, the following guide will help you get the pump back into service as quickly as possible.

If disassembly of the pump is required, please check your warranty. The warranty may be voided by misuse or customer tampering which results in the pump being inoperable.

Failure to start

Check the line voltage. Robinair pumps are designed to start at ±10% line voltage at 0°C (32°F). At extremes, however, switching between the start and run windings may occur.

Oil leakage

1. Be sure the oil is not a residual accumulation from spillage, etc.
2. If leakage exists, the module cover gasket or the shaft seal may need replacing. Follow the instructions in the seal replacement kit, part number 15367. If leakage exists in the area of the oil drain plug, you may need to reseal the plug using a commercial pipe thread sealer.

Failure to pull a good vacuum

1. Be sure the Iso-Valve is in the OPEN position.
2. Be sure the vacuum gauge and all connections are in good condition and leak-free. You can confirm leakage by monitoring the vacuum with a thermistor gauge while applying vacuum pump oil at connections or suspected leak points. The vacuum will improve briefly while the oil is sealing the leak.
3. Be sure the pump oil is clean. A badly contaminated pump may require several oil flushes. See OIL CHANGE PROCEDURE.

NOTE: Use only high vacuum pump oil such as Robinair's Premium High Vacuum Pump Oil. Other oils will prevent pull-down to a deep vacuum.

4. Be sure the gas ballast knob is tightly closed.
5. Be sure the oil is at the proper level. For maximum pump operation, the oil must be even with the OIL LEVEL line on the sight glass when the pump is running. Do not overfill. To check the oil level, start the pump with the inlet capped. Add oil if necessary.

VacuMaster® specifications

Model 15120A

| | |
|---|---|
| Frequency Range | 60 Hz |
| Voltage Range | 115V |
| Free Air Displacement | 283 l/m (10 cfm) |
| Stages | 2 |
| Motor Speed | 1725 rpm |
| Factory Micron Rating | 20 microns |
| Approximate Oil Capacity | 488 ml (16½ oz.) |
| Weight | 17.24 kg (38 lbs.) |
| Width | 14.29 cm (5 ⁵ / ₈ " |
| Height | 27.3 cm (10 ³ / ₄ " |
| Length | 41,9 cm (16 ¹ / ₂ " |
| Intake | ½" and ¼" SAE MFL |
| Min. Starting Temp. (at 90% Voltage) .. | 0°C (32°F) |
| Motor Size | ½ HP, Capacitor Start |
| Operating Temp. | 74°C (165°F) |

Model 15122A

| | |
|---|---|
| Frequency Range | 50/60 Hz |
| Free Air Displacement | 283 l/m (10 cfm) |
| | 236 l/m @ 50 Hz |
| Stages | 2 |
| Motor Speed | 1450/1725 rpm |
| Voltage Range | 240V |
| Factory Micron Rating | 20 microns |
| Approximate Oil Capacity | 488 ml (16½ oz.) |
| Weight | 18.60 kg (41 lbs.) |
| Width | 14.29 cm (5 ⁵ / ₈ " |
| Height | 27.3 cm (10 ³ / ₄ " |
| Length | 44,5 cm (17 ¹ / ₂ " |
| Intake | ½" and ¼" SAE MFL |
| Min. Starting Temp. (at 90% Voltage) .. | 0°C (32°F) |
| Motor Size | 0,37 kw (½ HP) Capacitor Start |
| Operating Temp. | 74°C (165°F) |

Note:

1. All motors are internally protected (automatic reset).
2. Operating temperatures are typical for normal operating conditions.

When you need help

If these procedures do not correct the problem, contact your nearest Robinair distributor. The distributor may recommend an additional replacement part (this manual contains a parts list) or suggest you send your pump to the nearest authorized service center.

Because of ongoing product improvements, we reserve the right to change design, specifications, or materials without notice.

Replacement parts

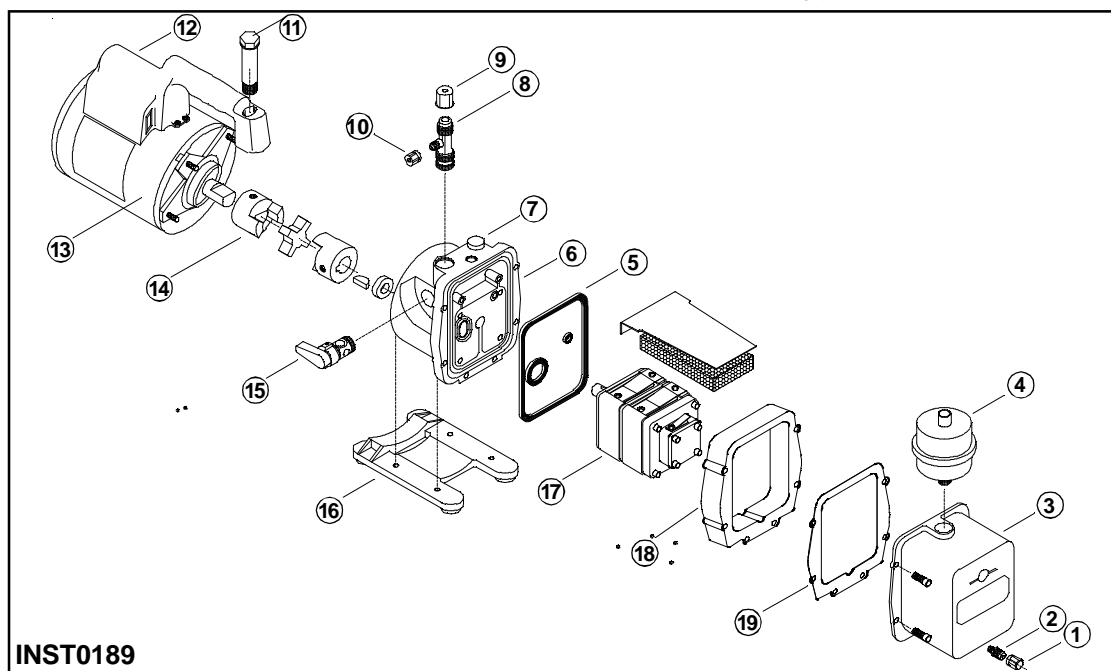
| Part | Figure | Part No. |
|--------------------------------------|--------|----------|
| Oil Drain Cap (6) | 1 | 40572 |
| Oil Drain Kit (includes # 1, 2) | -- | 48116 |
| Module Cover Kit(# 1, 2, 3, 5, 18) | -- | 15139 |
| Exhaust Filter | 4 | 15147 |
| Gas Ballast Knob and Seal | 7 | 15371 |
| Intake Fitting (includes # 8, 9, 10) | -- | 15364 |
| Intake Cap (2), 1/2" SAE MFL | 9 | 41135 |
| Intake Cap (6), 1/4" SAE MFL | 10 | 41139 |
| Handle Bolt (includes O-ring) | 11 | 15146 |
| Handle, Power Cord, Switch Assy. | 12 | 15366 |
| 15120A Motor and Handle Assy. | 13 | 15136 |
| 15122A Motor and Handle Assy. | 13 | 15143 |
| Coupling | 14 | 48103 |
| Iso-Valve™ Assembly | 15 | 15368 |
| Base and Foot Assembly | 16 | 15369 |
| Pump Assembly (# 1-10, 14-19) | -- | 15138 |
| Seal Replacement Kit (not shown) | -- | 15367 |

Warranty coverage

Robinair VacuMaster vacuum pumps are warranted against defects in material and workmanship for one year of normal use from the date of purchase. See your distributor for warranty details.

Out of warranty

A pump which is no longer covered by the one-year warranty period and which fails to operate properly should be returned to the distributor with a full written explanation of the problem. Before returning an out-of-warranty pump, review all maintenance procedures to avoid an unnecessary return. Replacement parts are available for doing your own service.



Contenido



| | |
|--|----|
| Bombas de vacío de alto rendimiento VacuMaster® | 7 |
| Componentes de la bomba | 8 |
| Advertencias | 8 |
| Antes de utilizar su bomba de vacío | 9 |
| Para utilizar el balasto de gas | 10 |
| Para apagar la bomba después de utilizarla | 10 |
| Para mantener su bomba de alto vacío | 10 |
| Aceite de la bomba de vacío | 10 |
| Procedimiento para cambios de aceite | 10 |
| Limpieza de la bomba | 11 |
| Lubricación de motor | 11 |
| Guía para la resolución de problemas | 11 |
| Fallas de arranque | 11 |
| Fugas de aceite | 11 |
| Vacío deficiente | 11 |
| Especificaciones de las bombas VacuMaster® | 12 |
| Repuestos | 13 |
| Cuando usted necesita ayuda | 13 |
| Cobertura de la garantía | 13 |
| Período de garantía | 13 |

Para los sistemas A/C-R que utilizan los CFC, HCFC, y HFC en combinación con aceite mineral, aceite de éster, aceite aiquilbenceno y aceite PAG como lubricantes. No para uso con sistemas de amoníaco o bromuro de litio. No para uso con refrigerantes combustibles.

Bombas de vacío de alto rendimiento VacuMaster®



Felicitaciones por su compra de una bomba de vacío VacuMaster® de óptima calidad de Robinair. Su bomba ha sido diseñada específicamente para servicios de aire acondicionado y refrigeración y está construida con el álabe rotatorio compensado de la Robinair para tener una comprobada evacuación rápida y completa. Ud. va a apreciar estas características...

Iso-Valve™

Permite que la bomba se cierre mientras está conectada todavía al sistema de A/C-R, lo cual es conveniente para controlar el ritmo de aumento. Con el mango de la válvula en la posición "Open," la bomba está abierta al sistema que está siendo evacuado. En la posición "Close," la bomba está aislada del sistema.

Alto vacío nominal

El diseño del álabe rotatorio compensado de dos etapas ofrece una capacidad de alto vacío poderosa, pero silenciosa, y asegura la eliminación de la humedad, mientras que la fuerte capacidad de bombeo reduce el tiempo de evacuación.

Filtración durante la Vida Util

El filtro de entrada evita que materias extrañas entren a la cámara de bombeo, y un filtro de escape separa el vapor de aceite del flujo de escape.

Balasto de gas

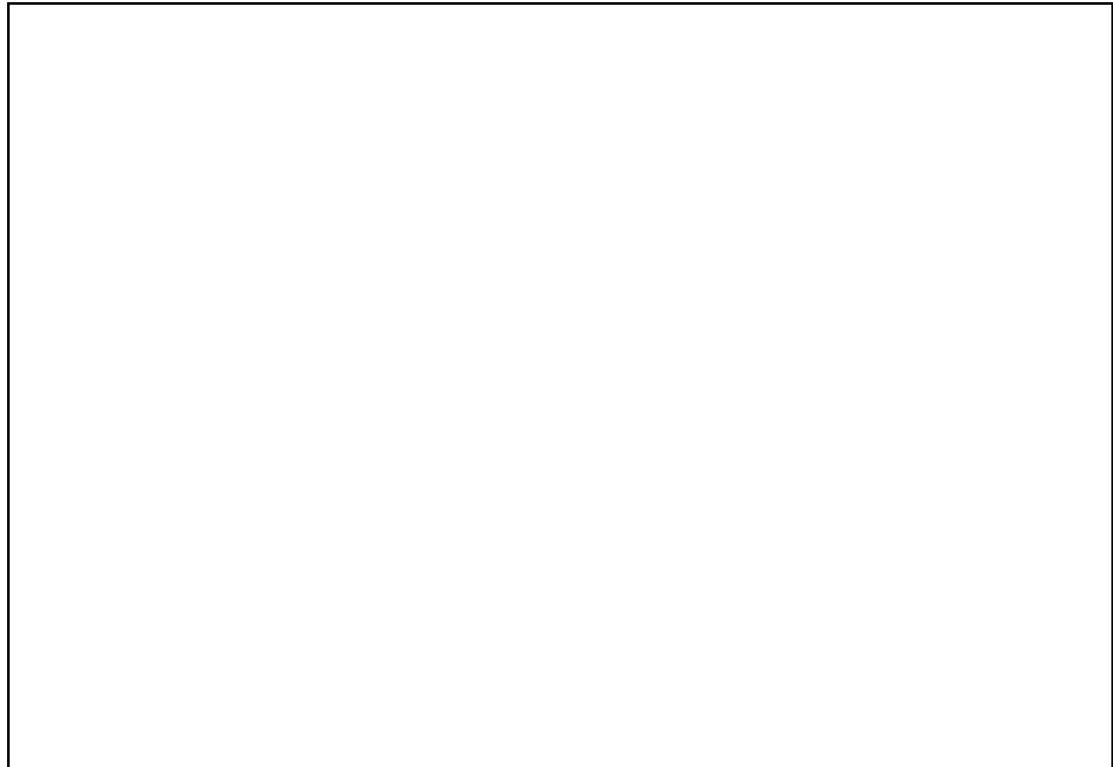
Una cantidad precisa de aire atmosférico se introduce en la bomba, previniendo la condensación del vapor de humedad y ayudando a mantener la pureza del aceite de la bomba. Al utilizar el balasto de gas, la bomba opera con mayor eficiencia y se extiende la vida de la bomba.

Mango de agarre seguro

El mango moldeado de una sola pieza hace que sea fácil de transportar la bomba a diferentes lugares de trabajo, y no se calienta durante la operación.

Diseño compacto

Su bomba mide aproximadamente 42 cm (16 1/2") de largo, y la caja de aluminio y álabes rotatorios compensados aligeran el peso de la bomba, haciéndola fácil de llevar.



Componentes de la bomba

1. Conector de la Entrada
2. Válvula de Balasto de Gas (ubicada al lado del mango)
3. Filtro de Escape
4. Puerto para el Llenado de Aceite
5. Tubo Indicador
6. Caja Moldeada de Aluminio
7. Drenaje de Aceite
8. Base Moldeada de Policarbonatos
9. Iso-Valve™ — aísla la bomba del sistema
10. Potente Motor de Alto Torque
11. Interruptor Eléctrico
12. Mango de Agarre Seguro

Advertencias



Cuando se trabaja con refrigerantes, siempre se debe usar gafas protectoras. El contacto con refrigerantes puede causar daños a su persona.

El uso o conexiones inadecuados pueden crear situaciones de peligro de shock eléctrico. Lea y siga las instrucciones cuidadosamente y tome precauciones para evitar estos peligros.

Asegúrese de que todos los dispositivos asociados estén adecuadamente conectados a tierra antes de pasar energía a los circuitos.

La temperatura normal de operación hará que ciertas porciones externas de la bomba se calienten. No toque la caja de la bomba o el motor durante su operación.

NOTICIA: Emisiones Aerotransportadas de Ruido

Este equipo ha sido probado para emisiones aerotransportadas de ruido según la Directiva del Consejo para Maquinaria (89/392/EEC), Sección 1.7.4 Instrucciones — Requisitos Esenciales de Salud y Seguridad. El nivel de ruido no sobrepasa el valor actual de 88dB(A).

Antes de utilizar su bomba de vacío

En todos los casos, los motores están diseñados para voltajes de trabajo con una variación del $\pm 10\%$ del valor nominal (ver ESPECIFICACIONES). Los motores de voltaje sencillo se suministran completamente conectados y listos para funcionar.

1. Asegúrese de que el voltaje y la frecuencia en la salida se conformen con las especificaciones en la calcomanía del motor de la bomba. Revise el interruptor (ON-OFF) para asegurar que está en la posición de OFF antes de enchufar la bomba. Verifique que la válvula de balasto de gas esté cerrada. Saque y bote el tapón de plástico del extremo del filtro de escape.
2. La bomba se envía sin aceite en el reservorio; antes de arrancarla, hay que llenarlo de aceite. Saque el filtro de escape (un tapón hecho de plástico negro que está directamente al frente al mango) y agregue aceite justamente hasta que aparezca en el fondo del tubo indicador. La bomba tiene una capacidad aproximada de aceite de 375 ml.
3. Reemplace el filtro de escape (apriete a mano), y remueva la tapa de uno de los puertos de entrada. Ponga la Iso-válvula en la posición ABIERTO (Open). Gire el interruptor de motor a ENCENDIDO (On). Cuando la bomba funcione suavemente, ponga la Iso-válvula en la posición CERRADO (Closed) y reemplace la tapa del puerto de entrada. Esto puede requerir de dos a 30 segundos dependiendo de la temperatura ambiente. Después de que la bomba funcione por aproximadamente un minuto, verifique el nivel adecuado del aceite en el cristal visor — el aceite debe estar nivelado con la línea de NIVEL DE ACEITE (Oil level) del cristal visor. Añada más aceite si es necesario.

Cuando la bomba está funcionando, el aceite debe estar al nivel de la línea de NIVEL DE ACEITE (Oil level). Una cantidad demasiado baja resultará en un vacío deficiente. Una cantidad demasiado grande resultará en la salida de aceite por el escape. Ahora su bomba está lista para evacuar sistemas de aire acondicionado y refrigeración. Para conectar la bomba al sistema, siga los procedimientos normales de servicio y las instrucciones del fabricante.

CUIDADO! Antes de conectar la bomba de vacío al sistema de A/C-R, elimine el refrigerante del sistema de una manera aceptable. Pueden producirse daños en la bomba si se inicia la evacuación mientras el sistema está bajo mucha presión. La Robinair recomienda el uso de nuestros equipos de Recuperación y Reciclaje de Refrigerantes.

Instrucciones para la instalación alámbrica del interruptor (15121A):

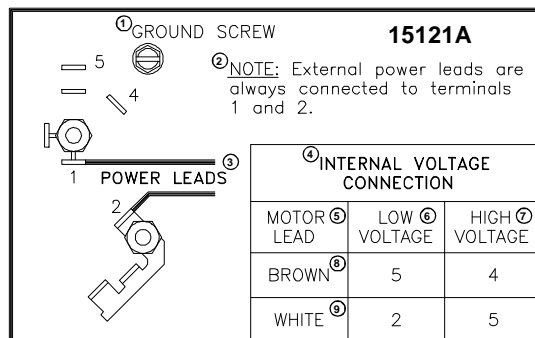
Los bombas de vacío VacuMaster ofrecen rangos duales de voltaje. Antes de operar la bomba, lea y siga estas instrucciones para cambios de alambrado (si esto fuera necesario) para asegurar que su bomba esté preparada para el voltaje apropiado.

CUIDADO! Desenchufe la unidad antes de iniciar cualquier trabajo de servicio. El uso o conexiones inadecuados pueden causar shock eléctrico. Solamente personal calificado debe realizar trabajos de servicio.

Los bombas de vacío VacuMaster vienen de la fábrica listos para de alto voltaje de 220 voltios. Para cambiar el alambrado a un rango de bajo voltaje de 100 a 127 voltios, siga estos pasos:

1. Desconecte la unidad de la fuente de poder de corriente alterna (AC) antes de proceder.
2. Afloje los tornillos de la placa en el lado posterior del motor y coloque cuidadosamente a un lado la placa para despejar la entrada.
3. Desconecte los avances y reconecte para el bajo voltaje, siguiendo el diagrama y el cuadro en la siguiente página. (Las conexiones de alto voltaje también están indicadas por si acaso quisiera volver a la configuración original alguna vez.)
4. Verifique que las todas las conexiones estén bien sujetadas y que no haya cortocircuitos. También de que la conexión a tierra esté bien hecha.
5. Reinstale la placa en el lado posterior del motor con los tornillos que se aflojaron en el paso 2.

IMPORTANTE: Antes de volver a conectar con la fuente de poder, revise para ver si hay cortocircuitos utilizando un medidor de continuidad.



- ① Tornillo Para La Puesta A Tierra
- ② Nota: Las conexiones eléctricas externas siempre se conectan con las terminales 1 y 2.
- ③ Avances Eléctricos
- ④ Conexión Interna De Voltaje
- ⑤ Avance Del Motor
- ⑥ Bajo Voltaje
- ⑦ Alto Voltaje
- ⑧ Marrón
- ⑨ Blanco
- ⑩ Púrpura

Para utilizar el balasto de gas

La humedad que la bomba se lleva del sistema A/C-R, en forma de vapor, tiende a condensarse y este líquido se une al aceite de la bomba de vacío. Cuando el aceite de la bomba se contamina de humedad, esto reduce la capacidad de la bomba de alcanzar su máximo nivel de alto vacío.

La válvula del balasto de gas purga una pequeña cantidad de aire atmosférico a través de la cámara de escape. Este volumen adicional de aire se mezcla con el vapor del sistema de refrigerante para evitar la condensación y facilitar la salida de humedad de la bomba en forma de vapor.

Para utilizar el balasto de gas, arranque la bomba y abra la válvula de balasto de gas hasta que el sistema haya llegado a aproximadamente 1000-3000 (mil) micrones. Cierre la válvula para permitir que la bomba llegue a su máximo nivel de vacío. La válvula del balasto de gas está ubicada al lado del mango, frente al conector de la entrada.

La válvula del balasto de gas puede estar abierta o cerrada en cualquier momento durante la operación de la bomba. Está totalmente abierta con dos vueltas en la dirección contraria al movimiento de las manecillas del reloj.

NOTA: La Robinair recomienda el uso de un manómetro de vacío tipo termistor para medir los niveles de vacío de la manera más precisa.

Para apagar la bomba después de utilizarla

Para ayudar a prolongar la vida útil de la bomba y facilitar el arranque, siga estos procedimientos para apagarla.

1. Cierre la válvula del múltiple entre la bomba y el sistema.
2. Ponga la Iso-válvula en la posición CERRADO (Closed).
3. Remueva la manguera de la entrada de la bomba.
4. Ponga el interruptor de energía para la bomba en la posición PARADO (Off), luego ponga la Iso-válvula en la posición ABIERTO (Open) de nuevo, por unos segundos para eliminar el vacío del interior de la bomba.
5. Tape el puerto de entrada para prevenir cualquier contaminación o entrada de partículas flojas en el puerto.

Para mantener su bomba de alto vacío

Para un máximo rendimiento, Robinair recomienda que se cambie el aceite de la bomba de vacío después de cada uso.

Aceite de la bomba de vacío

La condición y el tipo de aceite utilizado en cualquier bomba de alto vacío son sumamente importantes en la determinación del máximo vacío alcanzable. Robinair recomienda el uso de nuestro Aceite Premium para Bombas de Alto Vacío. Este aceite ha sido mezclado específicamente para mantener la viscosidad máxima a temperaturas normales de trabajo y para mejorar los arranques en temporadas frías.

Aceite Premium para Bombas de Alto Vacío de Robinair es disponible en recipientes convenientes de un octavo de galón (0,475 l), cuarto de galón (0,95 l) o un galón (3,8 l). Haga los pedidos por los números de repuesto:

13201 — Octavo (enviados 12 octavos por caja)

13203 — Cuartos (enviados 12 cuartos por caja)

13204 — Galón (enviados 4 galones por caja)

Procedimiento para cambios de aceite

1. Asegúrese de calentar la bomba.
2. Saque la tapa OIL DRAIN. Drene el aceite contaminado en un recipiente apropiado y disponga del mismo adecuadamente. El aceite puede ser forzado a salir de la bomba al abrir la entrada y bloquear parcialmente el escape con una tela mientras la bomba está funcionando. No opere la bomba por más de 20 segundos utilizando este método.
3. Cuando se haya detenido el flujo de aceite, incline la bomba hacia adelante para drenar el aceite residual.
4. Vuelva a colocar la tapa OIL DRAIN. Saque el filtro de escape y llene el reservorio con el nuevo aceite para bombas de vacío justamente hasta que aparezca en el fondo del tubo indicador. La bomba tiene una capacidad aproximada de aceite de 488 ml (16½ oz.).
5. Asegúrese de que estén tapados los puertos de entrada y luego encienda la bomba (póngala en ON). Permita que funcione durante un minuto y luego revise el nivel del aceite. Si el aceite está por debajo de la línea OIL LEVEL, agregue más aceite lentamente (mientras funciona la bomba) hasta que alcance la línea. Reemplace el filtro de escape (apriete a mano), asegurándose de que la entrada esté tapada y que la tapa del drenaje esté bien ajustada.

- Si el aceite está muy contaminado con fangos que se forman cuando permite que el agua permanezca en el aceite, puede ser necesario remover la tapa del recipiente de aceite y limpiarlo.

Repita este procedimiento las veces que sean necesarias hasta que se elimine la contaminación. Vuelva a colocar la tapa OIL DRAIN y vuelva a llenar el reservorio con aceite fresco para bombas hasta el nivel apropiado (ver el paso 4).

Limpeza de la bomba

Limpe la bomba con agua y jabón. **No utilice los limpiadores comerciales que contienen agentes desengrasadores que pueden dañar los policarbonatos.** La manilla y la base de la bomba son construidas de Lexan, uno de los plásticos policarbonatos más duros. Sin embargo es sensible a los agentes desengrasadores.

**Lexan es una marca registrada de General Electric*

Lubricación de motor

Después de tres años de servicio normal o un año de servicio pesado, añada aceite anualmente. Use aceite de motor eléctrico o aceite SAE 10.

Guía para la resolución de problemas

Su bomba VacuMaster ha sido diseñada para ofrecer un servicio confiable y una larga vida útil. Sin embargo, si hubiera una falla, la siguiente guía le ayudará a tener la bomba funcionando de nuevo lo más rápidamente posible.

Si se requiere desmontar la bomba, favor de revisar su garantía. La garantía puede ser anulada por la mala utilización o por trabajos realizados por personas no autorizadas, incluyendo al cliente, cuando estos resultan en la inoperabilidad de la bomba.

Fallas de arranque

Revise el voltaje de la línea eléctrica. Las bombas Robinair están diseñadas para arrancar a 0°C (32°F) a un voltaje de línea con una variación de $\pm 10\%$. Sin embargo, bajo condiciones extremas, pueden producirse conmutación entre los bobinados de arranque y de operación.

Fugas de aceite

- Asegúrese de que el aceite no sea residuos de un derrame, etc.
- Si existe una fuga, puede ser necesario reemplazar el empaque de la tapa del módulo o el sello del eje. Siga las instrucciones suministradas con el juego de repuesto del sello, repuesto número 15367. Si existe una fuga en el área del tapón de drenaje, puede ser necesario volver a sellarlo utilizando un sellador comercial para la rosca de la tubería.

Vacío deficiente

- Asegúrese de que la Iso-Valve de la bomba esté en la posición abierta (OPEN).
- Asegúrese de que el manómetro de vacío y todas las conexiones estén en buen estado y libre de fugas. Se puede confirmar una fuga a través de un manómetro tipo termistor mientras se vaya aplicando aceite para bombas de vacío en las conexiones o los puntos en donde se sospecha que pueda presentarse una fuga.
- Asegúrese de que el aceite de la bomba esté limpio. Una bomba muy contaminada puede requerir varios enjuagues de aceite. Ver el PROCEDIMIENTO PARA CAMBIOS DE ACEITE.

NOTA: Use solamente aceite para bombas de alto vacío tal como el Aceite Premium para Bombas de Alto Vacío Robinair. Otros aceites previenen la realización de un vacío fuerte.

- Verifique que la válvula de balasto de gas esté bien cerrada.
- Asegúrese de que el aceite esté en el nivel apropiado. Para el máximo rendimiento de la bomba, el aceite tiene que estar en el nivel de la línea OIL LEVEL en el tubo indicador cuando la bomba está funcionando. Ver el PROCEDIMIENTO PARA CAMBIOS DE ACEITE. No cargue la bomba con demasiado aceite. Para revisar el nivel del aceite, arranque la bomba con la entrada tapada. Agregue aceite si es necesario.

Especificaciones de las bombas VacuMaster®



Modelo 15120A

| | |
|--|---|
| Rango de Frecuencia | 60 Hz |
| Desplazamiento Libre de Aire | 283 l/m (10 cfm) |
| Etapas | 2 |
| Velocidad de Motor | 1.725 rpm |
| Rango de Voltaje | 115V |
| Valor Nominal de la Fábrica | 20 micrones |
| Capacidad Aprox. de Aceite | 488 ml (16 ¹ / ₂ oz.) |
| Peso | 17.24 kg (38 lbs.) |
| Anchura | 14,29 cm (5 ⁵ / ₈ " |
| Altura | 27,3 cm (10 ³ / ₄ " |
| Longitud | 41,9 cm (16 ¹ / ₂ " |
| Entrada | 1/2" y 1/4" SAE MFL |
| Temp. Mínima de Arranque (a voltaje de 90%) | 0°C (32°F) |
| Tamaño del Motor | 1/2 HP |
| | Arranque por Capacitor |
| Temp. de Trabajo | 74°C (165°F) |

Modelo 15122A

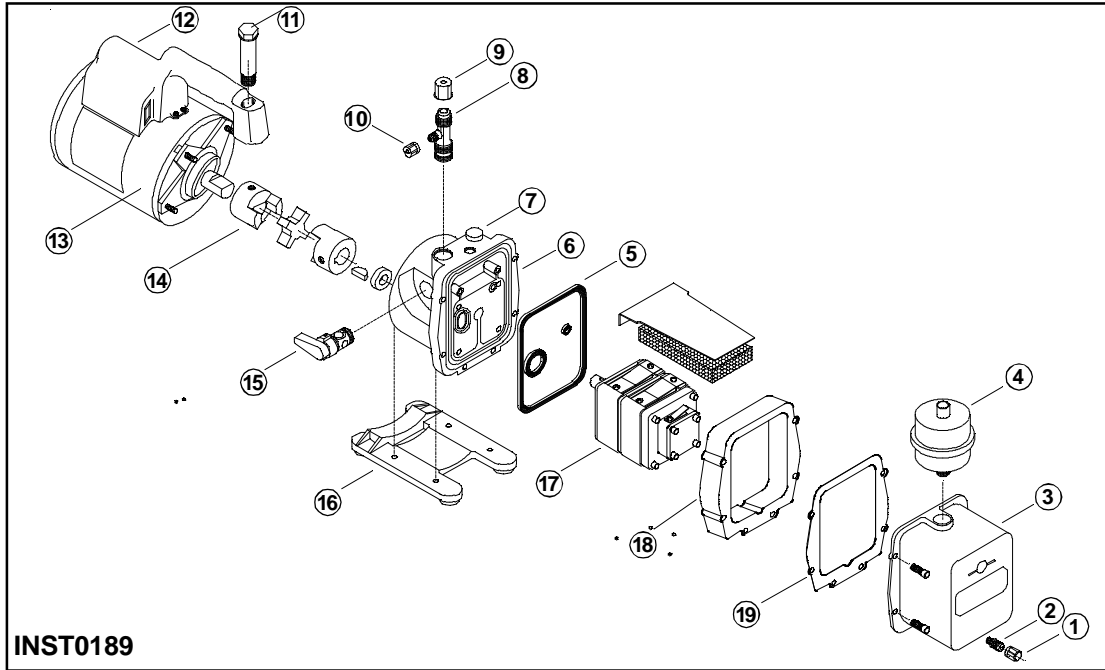
| | |
|--|---|
| Rango de Frecuencia | 50/60 Hz |
| Desplazamiento Libre de Aire | 283 l/m (10 cfm) 236 l/m @ 50 Hz |
| Etapas | 2 |
| Velocidad de Motor | 1450/1725 rpm |
| Rango de Voltaje | 240V |
| Valor Nominal de la Fábrica | 20 micrones |
| Capacidad Aprox. de Aceite | 488 ml (16 ¹ / ₂ oz.) |
| Peso | 18.60 kg (41 lbs.) |
| Anchura | 14,29 cm (5 ⁵ / ₈ " |
| Altura | 27,3 cm (10 ³ / ₄ " |
| Longitud | 44,5 cm (17 ¹ / ₂ " |
| Entrada | 1/2" y 1/4" SAE MFL |
| Temp. Mínima de Arranque (a voltaje de 90%) | 0°C (32°F) |
| Tamaño del Motor | 0,37 kw (1/2 HP) |
| | Arranque por Capacitor |
| Temp. de Trabajo | 74°C (165°F) |

Nota:

1. Todos los motores llevan protección interna (con reactivación automática).
2. Las temperaturas de trabajo son típicas para condiciones normales de operación.

Patentes EE.UU. 4.523.897; 5,209.653. Otras patentes pendientes en los Estados Unidos y otros países.

Debido al continuo mejoramiento de los productos, nos reservamos el derecho de cambiar diseños, especificaciones y materiales sin previo aviso.



INST0189

Repuestos

| Repuesto | Figura | Número |
|--|--------|--------|
| Tapa para Drenaje de Aceite (6) | 1 | 40572 |
| Juego de Drenaje de Aceite (incluye #1 y #2) | -- | 48116 |
| Juego de Cubierta de Módulo (incluye #1, #2, #3, #5 y #18) | -- | 15139 |
| Filtro de escape | 4 | 15147 |
| Válvula y sello del balasto de gas | 7 | 15371 |
| Conector de Entrada (incluye #8, #9 y #10) | -- | 15364 |
| Tapa de Entrada (2), 1/2" SAE MFL | 9 | 41135 |
| Tapa de Entrada (6), 1/4" SAE MFL | 10 | 41139 |
| Tuerca de Mango (incluye juntas tórica) | 11 | 15146 |
| Conjunto Mango-Cable Eléctrico-Interruptor | 12 | 15366 |
| 15120A Conjunto Motor-Mango | 13 | 15136 |
| 15122A Conjunto Motor-Mango | 13 | 15143 |
| Acople | 14 | 48103 |
| Conjunto de Válvula (Iso-Valve™) | 15 | 15368 |
| Conjunto Base-Pie | 16 | 15369 |
| Conjunto de Bomba, (incluye #1-10 y #14-19) | -- | 15138 |
| Juego de Reemplazo del Sello (no ilustrado) | -- | 15367 |

Cuando usted necesita ayuda

Si estos procedimientos no resuelven el problema, comuníquese con el distribuidor más cercano. El distribuidor puede recomendar una pieza de repuesto adicional (este manual contiene una lista de repuestos) o sugiere que envíe la bomba al centro de servicio autorizado.

Cobertura de la garantía

Las bombas de vacío VacuMaster de Robinair están garantizadas contra defectos de materiales y fabricación durante un año de uso normal desde la fecha de adquisición. Para los detalles de la garantía, comuníquese con el distribuidor.

Período de garantía

Una bomba que ya no esté cubierta por el período de garantía de un año que deje de funcionar adecuadamente debe ser devuelta al distribuidor con una explicación completa del problema por escrito. Antes de devolver una bomba sin garantía, revise todos los procedimientos de mantenimiento para evitar la devolución innecesaria. Están disponibles repuestos para que usted realice su propio servicio de mantenimiento.

Sommaire



| | |
|--|----|
| Pompes à vide VacuMaster® | |
| à haut rendement | 14 |
| Composants de la pompe | 15 |
| Avertissements | 15 |
| Avant d'utiliser la pompe à vide | 16 |
| Utilisation du dispositif de lest de gaz | 17 |
| Arrêt de la pompe après usage | 17 |
| Entretien de la pompe à vide | |
| à haut rendement | 17 |
| Huile de la pompe à vide | 17 |
| Instructions pour le changement d'huile | 17 |
| Nettoyage de la pompe | 18 |
| Lubrification de moteur | 18 |
| Guide de détection des pannes | 18 |
| La pompe ne démarre pas | 18 |
| Il y a une fuite d'huile | 18 |
| Il est impossible d'obtenir | |
| un haut niveau de vide | 18 |
| Spécifications de la pompe VacuMaster® | 19 |
| Pièces de rechange | 20 |
| En cas de besoin d'assistance | 20 |
| Garantie | 20 |
| Hors garantie | 20 |

Pour les systèmes A/C-R, utilisant les CFC, HCFC et HFC en conjonction avec de l'huile minérale, de l'huile ester, de l'huile de benzène d'alkyle et de l'huile PAG comme lubrifiants. Ne pas utiliser sur les systèmes à ammoniac ou bromure de lithium. Ne pas utiliser avec des réfrigérants inflammables.

Pompes à vide VacuMaster® à haut rendement



Nous vous félicitons d'avoir opté pour un modèle de pompes à vide VacuMaster® de haute gamme. Cette pompe a été spécifiquement conçue pour entretenir les installations de climatisation et de réfrigération et comporte un dispositif à ailettes rotatives Robinair qui a fait ses preuves et qui assure une évacuation rapide et complète.

Ces qualités sont là pour vous servir au mieux...

Soupape Iso-Valve™

Elle permet d'arrêter la pompe tout en la laissant branchée sur le système A/C-R, ce qui est commode pour vérifier les niveaux. Lorsque la manette de soupape est en position "Open," la pompe s'ouvre au système en cours d'évacuation. Lorsqu'elle est en position "Close," elle est isolée du système.

Régime nominal de vide poussé

Sa conception à deux étages et à deux ailettes rotatives donne à la pompe une capacité de vide puissante et silencieuse ainsi que la possibilité de prélever l'humidité; cette forte capacité de pompage réduit le temps d'évacuation.

Filtration et durée de vie

Le filtre d'aspiration retient toute matière étrangère à l'entrée de la chambre de pompage et un filtre d'échappement interne sépare la vapeur d'huile du flux d'échappement.

Lest de gaz

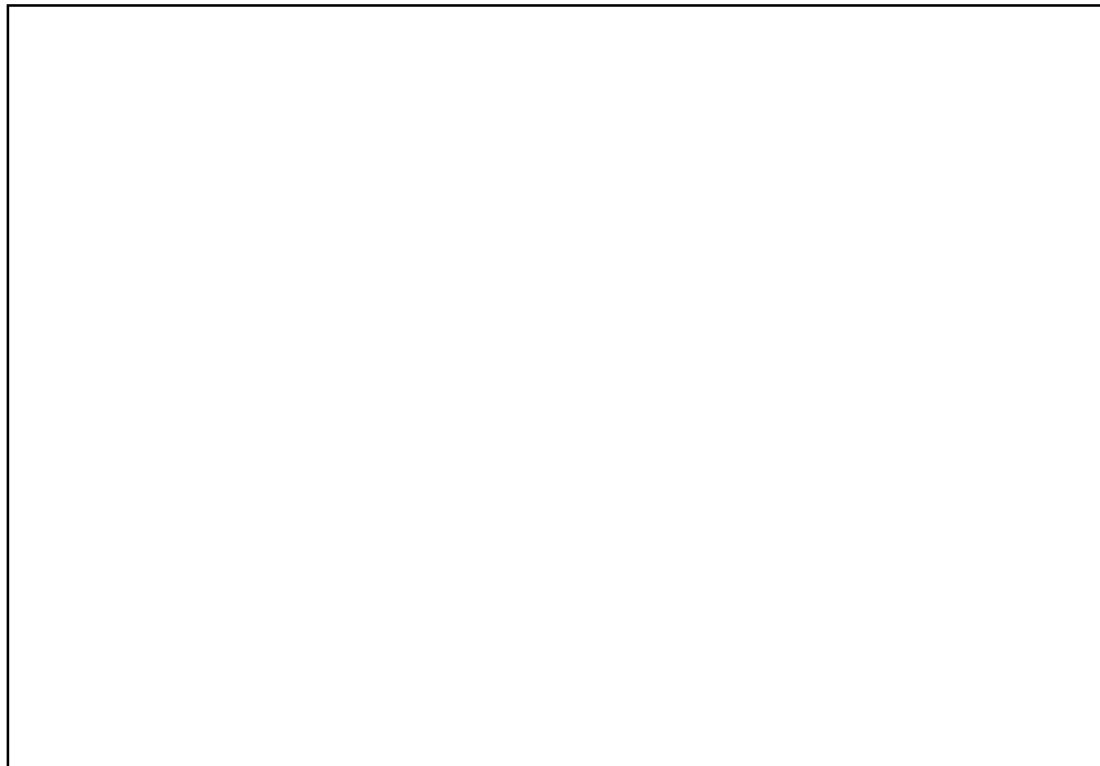
Un volume précis d'air est introduit dans la pompe, ce qui empêche la condensation de la vapeur d'humidité et aide à maintenir la pureté de l'huile. En utilisant le lest de gaz, la pompe opère plus efficacement et sa durée de vie est rallongée.

Poignée de prise sûre

Cette poignée moulée, faite d'une seule pièce, facilite le transport de la pompe de chantier en chantier. Elle reste froide lorsque la pompe fonctionne.

Conception compacte

La pompe, qui mesure environ 42 cm (16 1/2") de long, est légère grâce à son boîtier en aluminium et ses ailettes rotatives, et dès lors facile à transporter.



Composants de la pompe

1. Raccord d'aspiration
2. Soupape de lest de gaz (située près du socle de la poignée)
3. Filtre d'échappement
4. Orifice de remplissage d'huile
5. Hublot de regard
6. Boîtier en aluminium moulé
7. Orifice de vidange d'huile
8. Socle en polycarbonate moulé
9. Soupape Iso-Valve™ — permet d'isoler la pompe du système
10. Moteur puissant à fort couple
11. Interrupteur d'alimentation
12. Poignée à prise sûre

Avertissements



Pour travailler avec des réfrigérants, le port de lunettes protectrices est obligatoire car le contact avec les réfrigérants peut occasionner des blessures.

Une utilisation inappropriée ou des connexions mal faites peuvent être sources de chocs électriques. Lire soigneusement les instructions et prendre toutes les précautions nécessaires pour éviter les chocs électriques. S'assurer que tous les appareils associés à la pompe sont correctement mis à la masse avant de mettre les circuits sous tension.

La température normale de fonctionnement provoquera le réchauffement de certaines parties extérieures de la pompe. Ne pas toucher le boîtier de la pompe ou le moteur pendant que la pompe fonctionne.

NOTICE: Emissions de Bruits Aériens

Cet équipement a été testé pour les émissions de bruits aériens selon la Directive du Conseil pour la Machinerie (89/392/EEC), Section 1.7.4 Instructions — Prescriptions Essentielles de Santé de Sécurité. Les niveaux sonores ne doivent pas excéder 88dB(A) en valeur effective.

Avant d'utiliser la pompe à vide

Dans tous les cas, les moteurs sont conçus pour fonctionner avec des tensions de fonctionnement de plus ou moins 10% de la tension nominale (cf. SPECIFICATIONS). Des moteurs à voltage unique sont livrés tout connectés et prêts à l'emploi.

1. Vérifier que les spécifications de tension et de fréquence mentionnées sur la plaque d'identification du moteur correspondent bien à celles de la prise de courant. Faire attention que l'interrupteur ON-OFF soit en position OFF avant de brancher la pompe dans une prise. Vérifier que la soupape de lest de gaz est fermée. Retirer et jeter le bouchon en plastique de l'extrémité du filtre d'échappement.
2. La pompe est livrée sans huile dans le réservoir. Avant de démarrer la pompe, il faut remplir le réservoir d'huile. Retirer le filtre d'échappement (bouchon noir en plastique situé devant la poignée) et ajouter de l'huile jusqu'à ce qu'on la voit apparaître au fond du hublot de regard. La capacité de la pompe en huile est d'environ 488 millilitres (16 1/2 oz).
3. Remplacer le filtre d'échappement (serrer à la main) et enlever le bouchon de l'un des orifices d'admission. Mettre la soupape Iso-valve en position ouverte (OPEN). Placer le commutateur moteur sur ON. Une fois la pompe mise en route, mettre la soupape Iso-valve en position fermée (CLOSED) et replacer le capuchon sur l'orifice d'admission. L'opération dure entre 2 et 30 secondes suivant la température ambiante. Après avoir laissé la pompe fonctionner pendant une minute environ, vérifier le niveau d'huile dans le hublot de regard : l'huile doit atteindre la ligne OIL LEVEL. Ajouter de l'huile si nécessaire.

Lorsque la pompe fonctionne, le niveau d'huile doit arriver au trait du hublot de regard l'huile doit atteindre la ligne OIL LEVEL. Si le niveau est inférieur, le rendement sera moindre en termes de vide réalisé. Si le niveau est supérieur, de l'huile s'échappera éventuellement de l'orifice d'échappement.

La pompe est maintenant prête à évacuer les systèmes de climatisation et de réfrigération. Suivre les procédures normales d'entretien et les instructions du fabricant de systèmes A/C-R concernant le branchement de la pompe au système.

ATTENTION! Avant de brancher la pompe à vide sur un système A/C-R, retirer le réfrigérant du système en suivant la méthode habituelle. Si l'évacuation commence alors que le système est sous haute pression, la pompe encourt des dommages. Robinair recommande l'utilisation de son équipement de récupération et de recyclage du réfrigérant.

Instructions relatives au câblage (15121A):

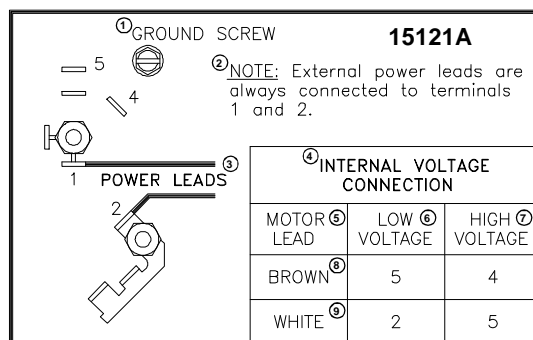
La pompe à vide VacuMaster® est disponible en bitension. Avant d'utiliser la pompe, lire et suivre les instructions de recâblage (si nécessaire) afin que la pompe soit réglée sur la tension appropriée.

ATTENTION! Débrancher la pompe avant d'entreprendre tout travail d'entretien. Une utilisation ou des connexions inappropriées peuvent causer des chocs électriques. Seul un personnel qualifié doit réaliser le travail de maintenance.

La pompe à vide VacuMaster est câblée en usine pour une haute tension de 220 volts. Pour brancher le commutateur qui permet de se régler sur une basse tension de 110 à 127 volts, il convient d'adopter la procédure suivante:

1. Avant de procéder, débrancher l'appareil de la source de courant.
2. Desserrer les vis du plateau à l'arrière du moteur et déplacer avec précaution le plateau sur le côté pour dégager l'ouverture.
3. Débrancher les conducteurs principaux et les rebrancher pour une basse tension, suivant le schéma et le tableau de la page opposée (les connexions de haute tension sont aussi indiquées pour le cas où l'on veuille recâbler).
4. S'assurer que toutes les connexions sont sûres et qu'il n'y a pas de court-circuits. S'assurer que la prise de terre est bien branchée.
5. Réinstaller le plateau à l'arrière du moteur avec les vis qui ont été desserrées à l'étape 2.

IMPORTANT : Vérifier l'absence de court-circuits à l'aide d'un testeur de continuité avant de rebrancher l'appareil à la source de courant.



- ① Vis De Mise A La Terre
- ② Remarque : Les conducteurs d'alimentation externe sont toujours connectés aux terminaux 1 et 2.
- ③ Conducteurs Principaux
- ④ Connexion de Tension Interne
- ⑤ Conducteur Principal De Moteur
- ⑥ Basse Tension
- ⑦ Haute Tension
- ⑧ Marron
- ⑨ Blanc
- ⑩ Violet

Utilisation du dispositif de lest de gaz

L'humidité du système A/C-R qui arrive dans la pompe sous forme de vapeur tend à se condenser en liquide et à se combiner avec l'huile de la pompe. Lorsque l'humidité contamine l'huile de la pompe, la capacité de la pompe à atteindre son niveau optimal de vide profond est réduite.

La soupape de lest de gaz laisse passer une petite quantité d'air par la chambre d'échappement. Ce volume supplémentaire d'air se mélange avec la vapeur du système de réfrigérant pour prévenir la condensation et aider à expulser l'humidité de la pompe sous forme de vapeur.

Pour utiliser la soupape de lest de gaz, démarrer la pompe et ouvrir la soupape de lest de gaz jusqu'à ce que le système atteigne un vide d'environ 1000-3000 microns. Fermer la soupape pour que la pompe puisse descendre à son niveau optimal de vide. La soupape de lest de gaz est située à côté de la poignée, en face du raccord d'aspiration.

La soupape de lest de gaz peut être ouverte ou fermée à n'importe quel moment du fonctionnement de la pompe. Elle est complètement ouverte lorsqu'on lui fait faire deux tours dans le sens des aiguilles d'une montre.

REMARQUE : Robinair recommande l'utilisation d'un manomètre à thermistor pour mesurer le plus précisément possible les niveaux de vide.

Arrêt de la pompe après usage

Afin de prolonger la vie de la pompe et d'en faciliter le démarrage, arrêter la pompe en suivant les instructions ci-après.

1. Fermer le manifold entre la pompe et le système.
2. Mettre la soupape Iso-valve en position fermée (CLOSED).
3. Sortir le tuyau à l'entrée de la pompe.
4. Mettre l'interrupteur de la pompe sur OFF; remettre ensuite la soupape Iso-valve en position ouverte (OPEN) pendant quelques secondes pour dégager tout vide se trouvant dans la pompe.
5. Boucher l'orifice d'admission pour empêcher toute contamination ou l'entrée dans l'orifice de particules isolées.

Entretien de la pompe à vide à haut rendement

Pour assurer un rendement maximal, Robinair recommande de changer l'huile de la pompe après chaque utilisation.

Huile de la pompe à vide

Le type d'huile utilisé pour chaque pompe à vide à haut rendement et son état, sont deux facteurs extrêmement importants pour déterminer le vide maximum possible. Robinair recommande l'utilisation de son huile pour pompe à vide à haut rendement, de qualité supérieure. Cette huile a été spécifiquement mélangée pour maintenir une viscosité maximale à des températures normales de fonctionnement et pour améliorer les démarrages en conditions hivernales.

L'huile de qualité supérieure Robinair pour pompe à vide à haut rendement est disponible en conteneurs d'un huitième de gallon (pinte ou 0,475 l), d'un quart de gallon (0,95 l) ou d'un gallon (3,8 l).

Pour les commander, indiquer le numéro de référence:

- 13201 — Pinte (livré par caisse de 12 pintes)
- 13203 — Quart (livré par caisse de 12 quarts)
- 13204 — Gallon (livré par caisse de 4 gallons)

Instructions pour le changement d'huile

1. S'assurer que la pompe est chaude.
2. Enlever le bouchon de l'orifice de vidange d'huile. Verser l'huile contaminée dans un conteneur approprié et l'éliminer de manière propre. Il est possible d'extirper l'huile de la pompe en ouvrant la bouche d'aspiration et en bloquant l'échappement avec un tissu alors que la pompe fonctionne. Si l'on utilise cette méthode, ne pas faire marcher la pompe plus de 20 secondes.
3. Lorsque l'écoulement d'huile s'arrête, pencher la pompe vers l'avant pour vider l'huile qui reste.
4. Replacer le bouchon de vidange d'huile. Retirer le filtre d'échappement et remplir le réservoir avec de l'huile neuve jusqu'à ce que l'on aperçoive l'huile au fond du hublot de regard. La capacité de la pompe en huile est d'environ 488 millilitres (16½ oz).
5. S'assurer que les orifices d'aspiration sont bouchés puis mettre la pompe sous tension. La faire tourner pendant une minute puis vérifier le niveau d'huile. Si l'huile est en dessous du repère de niveau dans le hublot de regard, en rajouter lentement (en continuant de faire tourner la pompe) jusqu'à ce qu'elle atteigne le niveau souhaité. Replacer le filtre d'échappement (serrer à la main) en s'assurant que l'aspiration est bouchée et que le bouchon de vidange est bien serré.

6. Si l'huile est sérieusement contaminée avec du cambouis qui se forme lorsque l'eau entre en contact avec l'huile, il sera peut-être nécessaire d'enlever le couvercle du réservoir d'huile et de le nettoyer avec un chiffon.

Répéter la procédure comme indiqué jusqu'à ce que les contaminants aient disparu. Replacer le bouchon de l'orifice de vidange d'huile et remplir le réservoir avec de l'huile propre jusqu'au niveau adéquat (cf. Etape 4).

Nettoyage de la pompe

Ne nettoyer la pompe qu'avec de l'eau et du savon. **Ne pas utiliser de détergents vendus dans le commerce contenant des agents dégraissants qui pourraient endommager les polycarbonates.** La poignée et le socle de la pompe sont fabriqués en Lexan, un des plastiques polycarbonates les plus résistants. Les agents dégraissants pourraient toutefois les abîmer.

**Lexan est une marque déposée de General Electric*

Lubrification de moteur

Après trois ans de service normal ou un an de service à haut rendement, ajouter de l'huile annuellement. Utiliser de l'huile pour moteur électrique ou de l'huile SAE 10.

Guide de détection des pannes

La conception de la pompe VacuMaster est telle qu'elle garantit une utilisation fiable et durable. Si toutefois quelque chose ne fonctionne pas, le présent guide des anomalies permettra de remettre la pompe en service aussi rapidement que possible.

Si le démontage de la pompe s'avère nécessaire, consulter la garantie. Elle peut ne pas s'appliquer lorsque la pompe est devenue inopérable à la suite d'une mauvaise utilisation ou d'une altération par l'utilisateur.

La pompe ne démarre pas

Vérifier la tension de la ligne électrique. Les pompes Robinair sont conçues pour démarrer à $\pm 10\%$ de la tension de la ligne (chargée) à 0°C (32°F). Aux extrêmes toutefois, un transfert entre les enroulements de démarrage et d'allure normale peut se produire.

Il y a une fuite d'huile

1. S'assurer que l'huile ne provient pas d'une accumulation due à un débordement, etc.
2. Si la fuite existe, il faut peut-être remplacer le joint de couvercle du module ou le joint d'arbre. Suivre les instructions fournies avec le kit de remplacement de joint, pièce N°15367. Si une fuite existe autour du bouchon de l'orifice de vidange, il faudra éventuellement resceller le bouchon à l'aide d'un dégrissant commercial.

Il est impossible d'obtenir un haut niveau de vide

1. S'assurer que la soupape Iso-valve est en position OPEN.
2. S'assurer que le manomètre et toutes les connexions sont en bon état et qu'ils ne présentent pas de fuites. On peut confirmer la présence d'une fuite en contrôlant le vide à l'aide d'un manomètre à thermistor et en appliquant de l'huile aux jointures ou aux points de fuite qu'on a identifiés. Le vide s'améliorera rapidement dès que l'huile aura remédié à la fuite.
3. S'assurer que l'huile de la pompe est propre. Si la pompe est gravement contaminée, il faudra éventuellement lui faire subir plusieurs lavages d'huile. Cf. la section INSTRUCTIONS POUR LE CHANGEMENT D'HUILE.

REMARQUE : N'utiliser que de l'huile pour pompe à vide à haut rendement telle que l'huile de qualité supérieure Robinair pour pompe à vide à haut rendement. Les autres huiles empêcheront l'obtention d'un vide profond.

4. Vérifier que le bouton de lest de gaz est bien fermé.
5. S'assurer que l'huile est au niveau souhaité. Pour que la pompe fonctionne de manière optimale, il faut, lorsqu'elle marche, que l'huile atteigne la ligne de niveau du hublot de regard. Cf. INSTRUCTIONS POUR LE CHANGEMENT D'HUILE. Ne pas remplir de trop le réservoir. Pour vérifier le niveau d'huile, démarrer la pompe avec la bouche d'aspiration fermée. Vérifier le niveau d'huile dans le hublot. Ajouter de l'huile si nécessaire.

Spécifications de la pompe VacuMaster®



Modèle 15120A

Gamme de fréquence 60 Hz
Déplacement libre d'air 283 l/m (10 cfm)
Etages 2
Vitesse du moteur 1725
Gamme de tension 115 V
Niveau micronique de fabrication 20 microns
Capacité d'huile approx 488 ml (16¹/₂ oz.)
Poids 17.24 kg (38 lbs.)
Largeur 14,29 cm (5⁵/₈")
Hauteur 27,3 cm (10³/₄")
Longueur 41,9 cm (16¹/₂")
Raccord 1/2" et 1/4" SAE MFL
Température de départ
minimum (à 90% de tension) 0°C (32°F)
Capacité du moteur 1/2 HP Démarreur
Température opérationnelle 74°C (165°F)

Modèle 15122A

Gamme de fréquence 50/60 Hz
Déplacement libre d'air 283 l/m (10 cfm)
236 l/m @ 50 Hz
Etages 2
Vitesse du moteur 1450/1725
Gamme de tension 240 V
Niveau micronique de fabrication 20 microns
Capacité d'huile approx 488 ml (16¹/₂ oz.)
Poids 18.60 kg (41 lbs.)
Largeur 14,29 cm (5⁵/₈")
Hauteur 27,3 cm (10³/₄")
Longueur 44,5 cm (17¹/₂")
Raccord 1/2" et 1/4" SAE MFL
Température de départ
minimum (à 90% de tension) 0°C (32°F)
Capacité du moteur ... 0,37 kw (1/2 HP) Démarreur
Température opérationnelle 74°C (165°F)

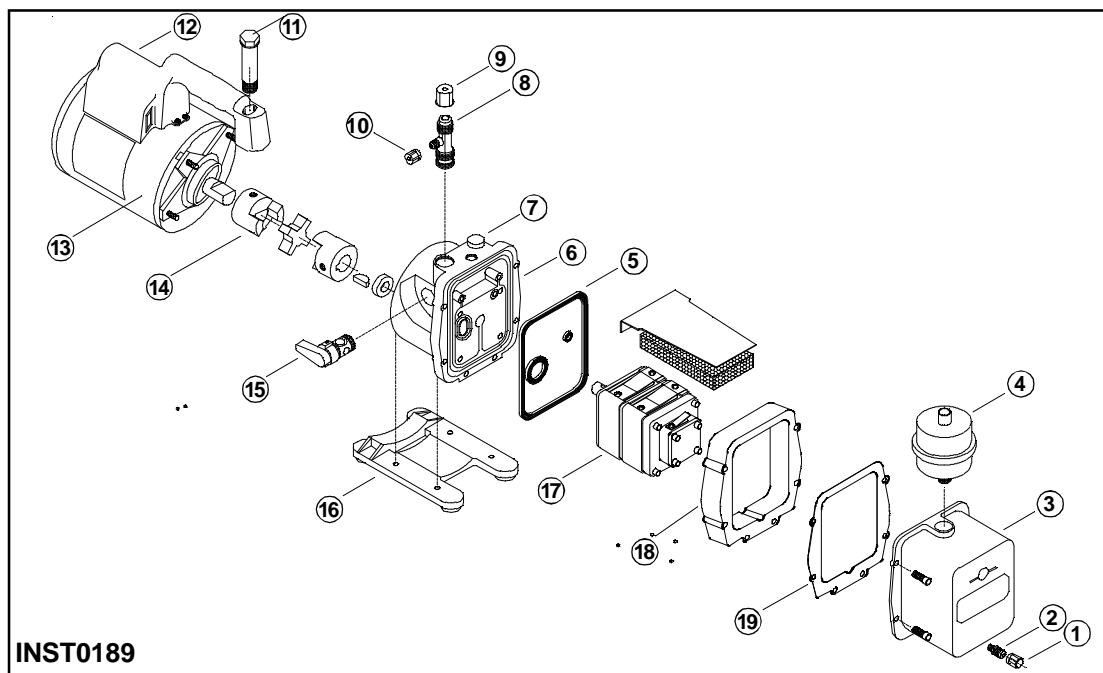
Remarque :

1. Tous les moteurs sont protégés à l'intérieur (remise à zéro automatique).
2. Les températures opérationnelles reflètent des conditions normales d'opération.

Brevets U.S 4.523,897; 5,209.653.

Autres brevets U.S. et étrangers en instance.

En raison des améliorations continues apportées au produit, nous nous réservons le droit de modifier, sans notification préalable, la conception, les spécifications et les matériaux s'y rapportant.



Pièces de rechange

| Pièce | N° | Numéro |
|---|----|--------|
| Capuchon (6) d'orifice de vidange d'huile | 1 | 40572 |
| Orifice de vidange d'huile (comprend N° 1 et 2) | -- | 48116 |
| Kit de couvercle de Module (comprend N° 1, 2, 3, 5 et 18) | -- | 15139 |
| Filtre d'échappement | 4 | 15147 |
| Bouton de lest de gaz et joint | 7 | 15371 |
| Raccord d'aspiration (comprend N° 8, 9 et 10) | -- | 15364 |
| Bouchon (2) d'aspiration 13mm (1/2" SAE MFL) | 9 | 41135 |
| Bouchon (6) d'aspiration 6 mm (1/4" SAE MFL) | 10 | 41139 |
| Boulon de la poignée (comprend bagues) | 11 | 15146 |
| Poignée, fil électrique et ensemble interrupteur | 12 | 15366 |
| 15120A Ensemble Moteur et Poignée | 13 | 15136 |
| 15122A Ensemble Moteur et Poignée | 13 | 15143 |
| Raccord | 14 | 48103 |
| Ensemble soupape (Iso-Valve™) | 15 | 15368 |
| Ensemble socle et pied | 16 | 15369 |
| Ensemble le Pompe, (comprend N° 1-10 et 14-19) | -- | 15138 |
| Kit de remplacement de joint (non illustré) | -- | 15367 |

En cas de besoin d'assistance

Si ces procédures ne corrigent pas le problème, veuillez contacter votre distributeur Robinair le plus proche. Le distributeur sera en mesure de vous recommander une pièce de rechange supplémentaire (une liste de pièces figure dans ce manuel) ou de vous suggérer de renvoyer votre pompe au centre de réparation agréé le plus proche.

Garantie

Les pompes VacuMaster de Robinair sont garanties contre les défauts de matériel et de fabrication pendant une durée normale d'utilisation d'un an à partir de la date d'achat. Prendre contact avec le distributeur pour obtenir les détails concernant l'application de cette garantie.

Hors garantie

Toute pompe dont la période de garantie d'un an est révolue et qui ne fonctionne plus correctement doit être retournée au distributeur, accompagnée d'une lettre expliquant en quoi consiste le problème. Toutefois, avant de renvoyer une pompe qui n'est plus couverte par la garantie, revoir toutes les procédures d'entretien afin d'éviter un retour inutile. Des pièces de rechange sont disponibles pour l'utilisateur désireux d'effectuer l'entretien lui-même.

Inhaltsverzeichnis

| | |
|---|----|
| VacuMaster® Hochleistungs-Vakuumpumpen ... | 21 |
| Pumpenbestandteile | 22 |
| Warnung | 22 |
| Bevor Sie Ihre Vakuumpumpe in Betrieb nehmen | 23 |
| Benutzung der Gasballastventile | 24 |
| Abschalten der Pumpe nach Gebrauch | 24 |
| Instandhaltung Ihrer Hochvakuumpumpe | 24 |
| Vakuumpumpenöl | 24 |
| Ölwechsellvorgang | 24 |
| Reinigen ihrer Pumpe | 25 |
| Motor Schmierung | 25 |
| Störungssuch-Hinweise | 25 |
| Springt nicht an | 25 |
| Öl läuft aus | 25 |
| Zieht kein gutes Vakuum | 25 |
| Technische Daten der VacuMaster® Vakuumpumpe | 26 |
| Ersatzteile | 27 |
| Wenn Hilfe Beansprucht Werden Muß | 27 |
| Garantie | 27 |
| Garantieablauf | 27 |

Für Gebrauch an A/C-R Systemen mit CFCs, HCFCs, und HFCs in Verbindung mit Mineralöl, Esteröl, Alkylbenzenöl und PAG-Öl als Schmiermittel. Nicht für den Gebrauch mit Ammoniak oder Lithiumbromid Systemen. Nicht für den Gebrauch mit brennbaren Kühlmitteln.

VacuMaster® Hochleistungs-Vakuumpumpen

Wir gratulieren Ihnen zum Kauf einer Hochqualitäts Robinair VacuMaster® Vakuumpumpe. Ihre Pumpe wurde speziell für den Service an Klima- und Kühlanlagen hergestellt und sie ist mit Robinairs bewährtem Offsetrotationsflügel für schnelle, sorgfältige Evakuierung ausgestattet.

Sie werden diese wesentlichen Eigenschaften schätzen...

Iso-Valve™

Ermöglicht das Ausschalten der Pumpe während sie noch an dem Klima- Kühlanlagensystem angeschlossen ist, was praktisch zur Überprüfung der Anstiegsgeschwindigkeit ist. Indem der Ventilgriff in der "Offen" Position ist, steht die Pumpe zu dem System das evakuiert wird offen. In der "Zu" Position ist die Pumpe vom System isoliert.

Hoher Vakuumnennwert

Der zweistufig Offset-Rotationsflügelentwurf erzeugt kraftvolle, geräuscharme, hohe Vakuumleistung und versichert die Entfernung von Feuchtigkeit, während die Hochpumpen-Kapazität die Evakuierungszeit vermindert.

Filtrierung auf Lebenszeit

Der Einlaßfilter verhindert den Eindrang von Fremdstoffen in die Pumpenkammer und ein Ablaßfilter scheidet Öldampf von den Abgasen ab.

Gasballast

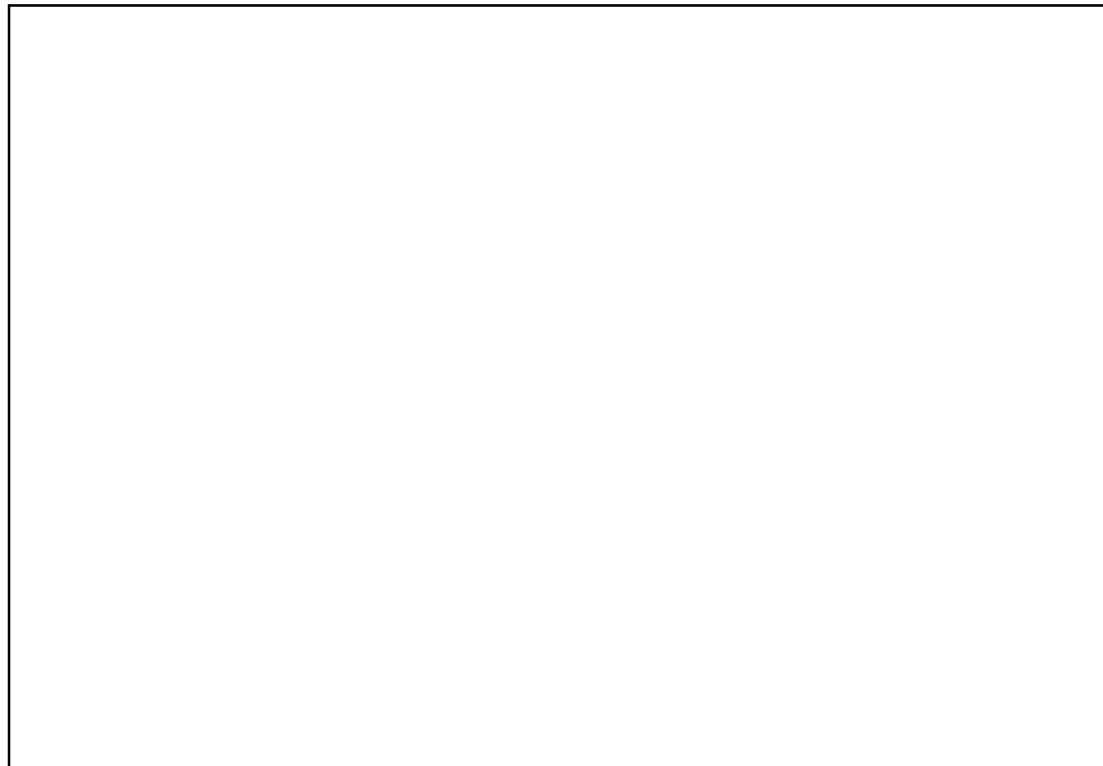
Ein genau angegebener Anteil atmosphärischer Luft wird in die Pumpe eingezogen, um Kondensation von Wasserdampf zu verhindern und um die Reinheit des Pumpenöls zu erhalten. Die Benutzung des Gasballasts ermöglicht, daß die Pumpe leistungsfähiger arbeitet und die Lebenszeit der Pumpe verlängert wird.

Rutschsicherer Griff

Ein einzeilteliger, geformter Griff vereinfacht den Transport der Pumpe zu und von der Arbeitsstelle und der Griff bleibt zum Anfassen während des Betriebs kühl.

Kompakter Entwurf

Ihre Pumpe ist nur ungefähr 42 cm (16 1/2") lang, wobei ein Gehäuse aus Aluminium und Offsetrotations-Flügel das Pumpengewicht niedrig halten und damit den Transport vereinfachen.



Pumpenbestandteile

1. Einlaßanschluß
2. Gasballastventil (befindet sich neben der Griffbasis)
3. Ablaß-Filter
4. Ölfülleingang
5. Sichtglas
6. Druckgußgehäuse aus Aluminium
7. Ölablaß
8. Basis aus geformten Polykarbonat
9. Iso-Valve™ - Isoliert die Pumpe von dem System
10. Kraftvoller Motor mit hohem Drehmoment
11. Stromschalter
12. Rutschsicherer Griff

Warnung



Tragen Sie immer eine Schutzbrille wenn Sie mit Kältemitteln arbeiten. Kontakt mit Kältemitteln könnte Verletzungen verursachen.

Unsachgemäßer Gebrauch oder Verbindungen könnten Elektroschocks verursachen. Lesen und folgen Sie allen Anweisungen vorsichtig und unternehmen Sie Vorsichtsmaßnahmen um Elektroschock zu verhindern. Versichern Sie, daß alle angeschlossenen Geräte richtig geerdet sind bevor Sie den Strom einschalten.

Die normale Betriebstemperatur verursacht, daß sich gewisse äußere Teile der Pumpe heiß anfühlen. Fassen Sie das Pumengehäuse oder den Motor nicht während des Betriebs an.

MITTEILUNG: Luftübertragene Lärmemission

Dieses Gerät wurde auf luftübertragene Lärmemission gemäß der Ratsverordnung für Maschinen (89/392/EEC), Abschnitt 1.7.4 Anleitungen — wesentliche Gesundheits- und Sicherheitsanforderungen getestet. Lärmpegel überschreiten nicht 88dB(A) tatsächlicher Wert.

Bevor Sie Ihre Vakuumpumpe in Betrieb nehmen

Die Motoren sind in allen Fällen für plus oder minus 10% der Normalnennwerte für Betriebsspannungen entworfen (richten Sie sich an die TECHNISCHEN DATEN). Einzelvoltmotoren werden voll angeschlossen geliefert und sind zum Einsatz bereit.

- Überprüfen Sie die Spannung und Frequenz an der Steckdose um zu versichern, daß Sie mit den technischen Daten die sich an dem Pumpenmotoraufkleber befinden übereinstimmen. Überprüfen Sie den EIN/AUS Schalter um zu versichern, daß er in der AUS Position ist, bevor Sie die Pumpe an ein Stromnetz anschließen. Versichern Sie, daß das Gasballastventil geschlossen ist. Den Plastikverschluß am Ende des Abblafilters entfernen und wegwerfen.
- Die Pumpe wird ohne Öl in dem Reservoir geliefert. Bevor Sie die Pumpe in Betrieb nehmen füllen Sie sie mit Öl. Den Abblaf-Filter entfernen (schwarzer Plastikpfropfen direkt an der Vorderseite des Griffes) und füllen Sie Öl ein bis das Öl gerade unten im Sichtglas erscheint. Die ungefähre Ölkapazität der Pumpe beträgt 488 ml. (16 1/2 oz.).
- Den Abblaf-Filter auswechseln (mit der Hand leicht anziehen) und entfernen Sie die Kappe von einem der Einlaßanschlüsse. Drehen Sie das Iso-Ventil auf OFFEN. Schalten Sie den Motorschalter ein. Wenn die Pumpe ruhig läuft, drehen Sie das Iso-Ventil auf GESCHLOSSEN und ersetzen Sie die Kappe an dem Einlaß-an-schluß. Dies könnte von zwei bis 30 Sekunden dauern, je nach der Umgebungs-temperatur. Nachdem die Pumpe für ungefähr eine Minute gelaufen ist, überprüfen Sie das Schauglas auf den genauen Ölstand - das Öl sollte auf einer Linie mit der ÖLSTANDSLINIE im Schauglas sein. Geben Sie Öl dazu falls notwendig.

Wenn die Pumpe läuft sollte der Ölstand auf einer Ebene mit der ÖLSTANDSLINIE. Unterfüllung wirkt sich in schlechter Vakuumsleistung aus. Überfüllung kann verursachen, daß Öl aus dem Abblaf herausbläst.

Ihre Pumpe ist nun bereit Klima- und Kühlanlagensysteme zu evakuieren. Folgen Sie den normalen Service-Vorgängen und den Anweisungen des Herstellers der Klima-Kühlanlage für den Anschluß an des System.

VORSICHT! Bevor Sie Ihre Vakuumpumpe an ein Klima- Kühlanlagensystem anschließen, entfernen Sie das Kältemittel in angemessener Weise vom System. Die Pumpe könnte beschädigt werden, falls Evakuierung beginnt während das System unter hohem Druck steht. Robinair schlägt die Benutzung unserer Kältemittelrückgewinnungs- und Wiederaufbereitungsgeräte vor.

Verdrahtungsanweisungen für den Schalter (15121A):

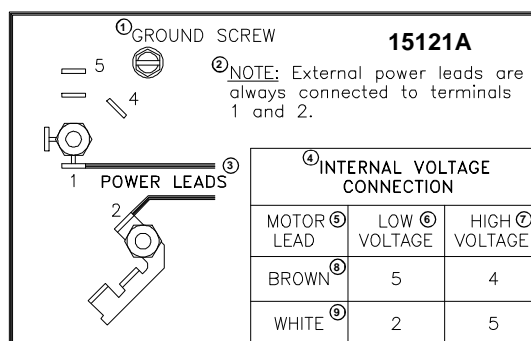
Die VacuMaster Vakuumpumpen haben zwei Spannungsbereiche. Bevor Sie die Pumpe in Betrieb nehmen, lesen und folgen Sie diesen Verdrahtungsanweisungen (falls notwendig) um zu versichern, daß Ihre Pumpe für den richtigen Spannungsbereich verdrahtet ist.

VORSICHT! Ziehen Sie den Stecker ab, bevor Sie mit irgendeiner Servicearbeit fortfahren. Unsachgemäßer Gebrauch oder Verbindungen könnten Elektroschock verursachen. Nur qualifiziertes Personal sollte Service-Arbeiten vornehmen.

Die VacuMaster Vakuumpumpen sind von der Fabrik aus für einen Hochspannungsbereich von 220 Volt verdrahtet. Um den Schalter für einen niedrigeren Spannungsbereich von 110 Volt zu 127 Volt zu verdrahten folgen sie diesen Schritten.

- Ziehen Sie den Stecker von der Wechselstromquelle ab, bevor Sie weiterfahren.
- Lockern Sie die Schrauben der Platte an der Rückseite des Motors und legen Sie die Platte vorsichtig zur Seite um die Öffnung frei zu machen.
- Entkuppeln Sie die Leitungen und verdrahten Sie wieder für Niederspannung, indem Sie sich nach dem Diagramm und der Tabelle auf der nächsten Seite richten. (Hochspannungsverbindungen sind ebenfalls abgebildet, falls Sie in der Zukunft wieder so verdrahten wollen.)
- Versichern Sie, daß alle Verbindungen gut sind und daß keine Kurzschlüsse bestehen. Seien Sie sicher, daß die Erdverbindung richtig angeschlossen ist.
- Schrauben Sie die Platte wieder an die Rückseite des Motors, mit den Schrauben die Sie in Schritt zwei gelockert haben, fest.

WICHTIG: Überprüfen Sie auf Kurzschlüsse mit einem Durchgangsprüfer bevor Sie das Gerät wieder an die Wechselstromquelle anschließen.



- | | |
|--|-------------------------------|
| ① Erdschraube | ④ Interne Spannungsanschlüsse |
| ② Anmerkung: Externe Stromzuführungen sind immer an Anschlüssen 1 und 2 angeschlossen. | ⑤ Motorleitung |
| ③ Stromleitungen | ⑥ Niederspannung |
| | ⑦ Hochspannung |
| | ⑧ Braun |
| | ⑨ Weiß |
| | ⑩ Purpur |

Benutzung der Gasballastventiles

Feuchtigkeit die von dem Klima-Kühlanlagen-system in die Pumpe als Dampf gelangt, neigt sich dazu in eine Flüssigkeit zu kondensieren und sich mit dem Vakuumpumpenöl zu vermischen. Wenn Feuchtigkeit das Pumpenöl verschmutzt, hindert es die Fähigkeit der Pumpe ihren höchstmöglichen, tiefen Vakuumpegel zu erreichen.

Das Gasballastventil spült einen kleinen Anteil atmosphärischer Luft durch die Ablasskammer. Dieses extra Luftvolumen vermischt sich mit dem Dampf des Kühlanlagen-systems um Kondensation zu verhindern und um Feuchtigkeit in der Form von Dampf von der Pumpe abzulassen.

Um den Gasballast zu benutzen, lassen Sie die Pumpe an und öffnen Sie das Gasballastventil bis das System ungefähr 1000-3000 Mikronen erreicht. Schließen Sie das Ventil damit die Pumpe ihren höchstmöglichen Vakuumpegel erreichen kann. Das Gasballastventil befindet sich neben dem Griff, gegenüber des Einlaßanschlusses.

Das Gasballastventil kann zu jeder Zeit des Pumpenbetriebs geöffnet oder geschlossen werden. Es ist vollkommen offen nach zwei Umdrehungen nach links.

ANMERKUNG: Robinair schlägt die Benutzung eines Thermistor-Vakuumanometers für genaueste Ablesung des Vakuumpegels vor.

Abschalten der Pumpe nach Gebrauch

Um die Lebenszeit der Pumpe zu verlängern und das Anlassen zu befördern, folgen Sie diesen Vorgängen für das Abschalten:

1. Schließen Sie das Ventil der Ventilbatterie zwischen der Pumpe und dem System.
2. Drehen Sie das Iso-Ventil auf die GESCHLOSSEN Position.
3. Entfernen Sie den Schlauch vom Pumpeneinlaß.
4. Schalten Sie den Pumpenstromschalter auf AUS, dann drehen Sie das Iso-Ventil wieder für einige Sekunden in die OFFEN Position, um jegliches Vakuum in der Pumpe abzulassen.
5. Kappen Sie den Einlaßanschluß um zu verhindern das Verunreinigungen oder lose Teilchen in den Anschluß eindringen.

Instandhaltung Ihrer Hochvakuumpumpe

Für Hochleistung schlägt Robinair vor, daß Sie das Vakuumpumpenöl nach jeder Benutzung wechseln.

Vakuumpumpenöl

Der Zustand und Typ des Öls der in der Vakuumpumpe benutzt wird trägt sehr dazu bei, daß ein höchstmögliches Vakuum erreicht wird. Robinair schlägt die Benutzung unseres premium Hochvakuumpumpenöls vor. Dieses Öl wurde speziell für maximale Zähflüssigkeit bei normalen Betriebstemperaturen vermischt und um das Anlassen bei kaltem Wetter zu verbessern.

Robinair premium Vakuumpumpenöl ist in handlichen Pint (0,475 l), Quart (0,95 l) und Gallone (3,80 l) Größen erhältlich. Bestellen Sie nach Teilnummer:

- 13201 — Pint (wird als 12 Pint pro Kasten geliefert)
- 13203 — Quart (wird als 12 Quart pro Kasten geliefert)
- 13204 — Gallone (wird als 4 Gallonen pro Kasten geliefert)

Ölwechsellvorgang

1. Versichern Sie sich, daß die Pumpe angewärmt ist.
2. Entfernen Sie die ÖLABLAßKAPPE. Lassen Sie das verschmutzte Öl in einen angemessenen Behälter ablaufen und werfen Sie es in angemessener Weise weg. Öl kann aus der Pumpe gedrängt werden, indem der Eingang geöffnet wird und der Ablass teilweise mit einem Lappen blockiert wird während die Pumpe läuft. Lassen Sie die Pumpe nicht länger als 20 Sekunden bei dieser Methode laufen.
3. Wenn der Ölfluß aufgehört hat kippen Sie die Pumpe nach vorne um den Rest des Öls ablaufen zu lassen.
4. Ersetzen Sie die ÖLABLAßKAPPE. Den Ablass-Filter entfernen und füllen Sie das Reservoir mit neuem Vakuum-pumpenöl bis das Öl gerade unten in dem Sichtglas sichtbar wird. Die ungefähre Kapazität der Pumpe beträgt 488 ml. (16 1/2 oz.).
5. Versichern Sie sich, daß die Einlaßeingänge abgekapt sind, dann schalten Sie die Pumpe EIN. Lassen Sie sie für eine Minute laufen, dann überprüfen Sie den Ölstand. Falls das Öl unterhalb der ÖLSTANDLINIE in dem Sichtglas ist, geben Sie langsam (während die Pumpe läuft) Öl hinzu, bis das Öl die ÖLSTANDLINIE erreicht. Den Ablass-Filter auswechseln (mit der Hand leicht anziehen), daß der Eingang abgekapt ist und die Ablasskappe fest verschlossen ist.
6. Wenn das Öl durch Wasser ansammlung start verschmutzt ist, kann es nötig werden, den Ölbehälterdeckel zu öffnen und ihn auszuwischen.

Wiederholen Sie diesen Vorgang nach Bedarf, bis die Verschmutzung entfernt ist. Ersetzen Sie die ÖLABLAßKAPPE und füllen Sie das Reservoir auf den richtigen Stand mit neuem Pumpenöl (richten Sie sich an Schritt 4).

Reinigen Ihrer Pumpe

Reinigen Sie die Pumpe nur mit Seife und Wasser. **Benutzen Sie keine handelsüblichen Säubermittel mit Entfettungsmitteln die Polykarbonat beschädigen könnten.** Der Griff und die Grundplatte der Pumpe bestehen aus Lexan, eines der härtesten Polykarbonat-Plastiks. Es reagiert jedoch empfindlich auf Entfettungsmittel.

**Lexan ist ein eingetragenes Warenzeichen von General Electric.*

Motor Schmierung

Nach dreijährigem normalen Einsatz oder nach dreijährigem Hochleistungseinsatz, sollte Öl jährlich dazugegeben werden. Verwenden Sie Öl für Elektromotoren oder SAE 10 Öl.

Störungssuch-Hinweise

Ihre VacuMaster Pumpe wurde für zuverlässigen Gebrauch und lange Lebenszeit entwickelt. Falls etwas nicht richtig funktionieren sollte, werden Ihnen jedoch die folgenden Hinweise helfen die Pumpe wieder so bald wie möglich operationsfähig zu machen.

Falls das Auseinanderbauen der Pumpe notwendig ist, überprüfen Sie bitte Ihre Garantie. Die Garantie könnte ungültig sein, falls Mißbrauch oder Modifikationen vom Kunden vorgenommen wurden wodurch die Pumpe betriebsunfähig gemacht wurde.

Springt nicht an

Überprüfen Sie die Stromspannung. Robinair Pumpen sind entwickelt um bei 10% der Spannung bei 0°C (32°F) anzuspringen. In extremen Fällen könnte das Hin- und Herschalten zwischen den Start- und Laufwicklungen auftreten.

Öl läuft aus

1. Versichern Sie sich, daß das Öl keine Überrestansammlung von Schüttverlust, etc. ist.
2. Falls ein Leck vorhanden ist müssen Sie vielleicht die Moduldeckeldichtung oder die Wellendichtung ersetzen. Folgen Sie den Anweisungen die mit dem Dichtungsersatz-Sets, Teil Nr. 15367 mitgeliefert werden. Falls ein Leck im Bereich des Abblaßpfropfen vorhanden ist, müssen Sie eventuell den Pfropfen mit einem handelsüblichen Gewinderohrdichtungsmittel wieder verdichten.

Zieht kein gutes Vakuum

1. Versichern Sie sich, daß das Iso-Valve an der Pumpe in der OFFEN Position ist.
2. Versichern Sie sich, daß der Vakuumm-Anzeiger und alle Verbindungen in gutem Zustand und leckfrei sind. Sie können sich von Lecks überzeugen, indem Sie das Vakuum mit einem Thermistormanometer überprüfen, während Sie Vakuumpumpenöl an Verbindungen oder verdächtigen Leckpunkten auftragen. Das Vakuum wird sich momentan verbessern während das Öl den Leck abdichtet.
3. Versichern Sie sich, daß das Pumpenöl sauber ist. Eine sehr verschmutzte Pumpe könnte einige Ölspülungen benötigen. Richten Sie sich an den ÖLWECHSELVORGANG.

ANMERKUNG: Nur Hochdruck-Vakuumpumpenöl, wie Robinairs Premium Vakuumpumpenöl ist zu verwenden. Andere Öle verhindern ein günstiges Vakuum-Resultat.

4. Überprüfen, daß der Gasballastknopf fest zuge dreht ist.
5. Versichern Sie sich, daß das Öl sich auf dem richtigen Stand befindet. Für maximalen Pumpenbetrieb muß das Öl auf einer Ebene mit der ÖLSTANDLINIE im Sichtglas sein während die Pumpe läuft. Richten Sie sich an den ÖLWECHSELVORGANG. Überfüllen Sie nicht. Um den Ölstand zu überprüfen, lassen Sie die Pumpe mit dem verkappten Eingang an. Überprüfen Sie den Ölstand im Sichtglas. Falls notwendig, geben Sie Öl dazu.

Technische Daten der VacuMaster® Vakuumpumpe



Modell 15120A

| | |
|--|---|
| Frequenzbereich | 60 Hz |
| Freiluftversetzung | 283 l/m (10 cfm) |
| Stufen | 2 |
| Motorgeschwindigkeit | 1725 U/min |
| Spannungsbereich | 115V |
| Mikronennennwert von der Fabrik aus | 20 Mikronen |
| Ungefähre Ölwechselkapazität .. | 488 ml (16 ¹ / ₂ oz.) |
| Gewicht | 17.24 kg (38 lbs.) |
| Breite | 14,29 cm (5 ⁵ / ₈ " |
| Höhe | 27,3 cm (10 ³ / ₄ " |
| Länge | 41,9 cm (16 ¹ / ₂ " |
| Einlaß | 1/2" und 1/4" SAE MFL |
| Min. Starttemperatur (bei 90% Volt) | 0°C (32°F) |
| Motorgröße | 1/2 PS Kondensator Start |
| Betriebstemperatur | 74°C (165°F) |

Modell 15122A

| | |
|--|---|
| Frequenzbereich | 50/60 Hz |
| Freiluftversetzung | 283 l/m (10 cfm) 236 l/m @ 50 Hz |
| Stufen | 2 |
| Motorgeschwindigkeit | 1450/1725 U/min |
| Spannungsbereich | 240V |
| Mikronennennwert von der Fabrik aus | 20 Mikronen |
| Ungefähre Ölwechselkapazität .. | 488 ml (16 ¹ / ₂ oz.) |
| Gewicht | 18.60 kg (41 lbs.) |
| Breite | 14,29 cm (5 ⁵ / ₈ " |
| Höhe | 27,3 cm (10 ³ / ₄ " |
| Länge | 44,5 cm (17 ¹ / ₂ " |
| Einlaß | 1/2" und 1/4" SAE MFL |
| Min. Starttemperatur (bei 90% Volt) | 0°C (32°F) |
| Motorgröße | 0,37 kw (1/2 PS) Kondensator Start |
| Betriebstemperatur | 74°C (165°F) |

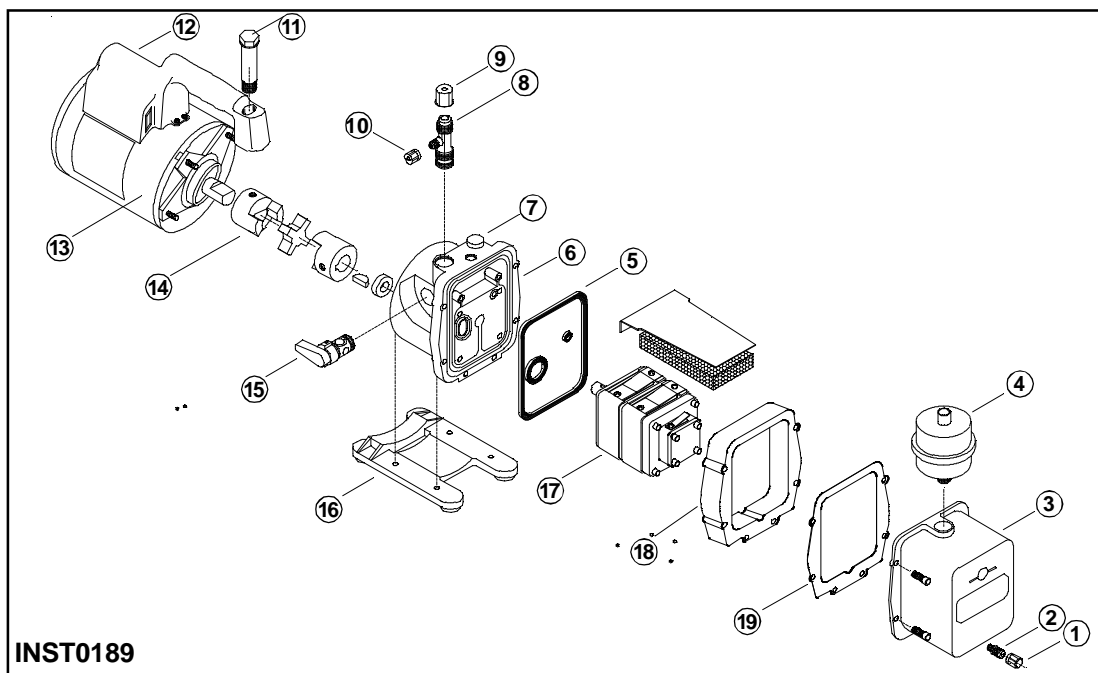
Anmerkung:

1. Alle Motoren sind intern geschützt (automatische Rücksetzung).
2. Betriebstemperaturen sind typisch für normale Betriebsbedingungen.

U.S. Patents 4,523,897; 5,209.653.

Weitere U.S und Auslandspatente angemeldet.

Änderungen im Entwurf, technische Daten und Material sind zwecks angehenden Produktverbesserungen vorbehalten.



INST0189

Ersatzteile



| Teil | Abbildung | Nummer |
|--|-----------|--------|
| Ölablaßkappe (6) | 1 | 40572 |
| Ölablaßsatz (einschließlich Nr. 1 und 2) | -- | 48116 |
| Modulgehäusesatz (einschließlich Nr. 1, 2, 3, 5 und 18) | -- | 15139 |
| Ablaß-Filter | 4 | 15147 |
| Gasballastknopf und Abdichtung | 7 | 15371 |
| Einlaßanschluß (einschließlich Nr. 8, 9 und 10) | -- | 15364 |
| Einlaßkappe (2), 1/2" SAE MFL | 9 | 41135 |
| Einlaßkappe (6), 1/4" SAE MFL | 10 | 41139 |
| Griffschraube (einschließlich von O-Ringen) | 11 | 15146 |
| Griff, Stromkabel und Schalterzusammenbau | 12 | 15366 |
| 15120A Motor und griffzusammenbau | 13 | 15136 |
| 15122A Motor und griffzusammenbau | 13 | 15143 |
| Verbindung | 14 | 48103 |
| Ventilzusammenbau (Iso-Valve™) | 15 | 15368 |
| Basis- und Fußzusammenbau | 16 | 15369 |
| Pumpezusammenbau, (einschließlich Nr. 1-10 und 14-19) | -- | 15138 |
| Dichtungsersatzsatz (nicht abgebildet) | -- | 15367 |

Wenn Hilfe Beansprucht Werden Muß



Falls diese Maßnahmen den erwünschten Erfolg nicht erreichen, können Sie sich an die zuständige Robinair Vertretung wenden. Der Vertreter wird den Umständen entsprechend zusätzliche Ersatzteile empfehlen (welche in diesem Prospekt aufgeführt sind) oder vorschlagen, daß die Pumpe an die Reparaturwerkstatt gesandt wird.

Garantie



Robinair Vacumaster Vakuumpumpen sind garantiert frei von Mängeln in Material und Fertigung für eine Zeitspanne von einem Jahr für normalen Gebrauch nach dem Kaufdatum. Richten Sie sich an Ihren Fachhändler für Garantieeinzelheiten.

Garantieablauf

Eine Pumpe die nicht richtig arbeitet und nicht mehr innerhalb der Garantiezeitspanne von einem Jahr fällt sollte zu Ihrem Fachhändler mit einer ausführlichen Erklärung des Problems zurückgeschickt werden. Bevor Sie eine Pumpe, die nicht länger garantiert ist, an die Fabrik zurückschicken, überprüfen Sie alle Vorgänge für Instandhaltung um unnötige Rücksendung zu vermeiden. Ersatzteile sind für Ihren persönlichen Service erhältlich.

ROBINAIR

WORLD • CHOICE

Visit our web site at

www.robinair.com

or call our Toll-Free

Technical Support Line at

1-800-822-5561

in the continental U.S. and Canada.

In all other locations, call your local distributor.

NATIONWIDE NETWORK OF AUTHORIZED SERVICE CENTERS

If your unit needs replacement parts, contact the service center in your area. For help in locating a service center, call the Toll-Free Technical Support Line or visit our web site.

SPX

ROBINAIR

*SPX Corporation
1224 Robinair Way
Montpelier, OH 43543-1952 USA
Phone: 419-485-5561
Fax: 419-485-8300
Web site: www.robinair.com*